

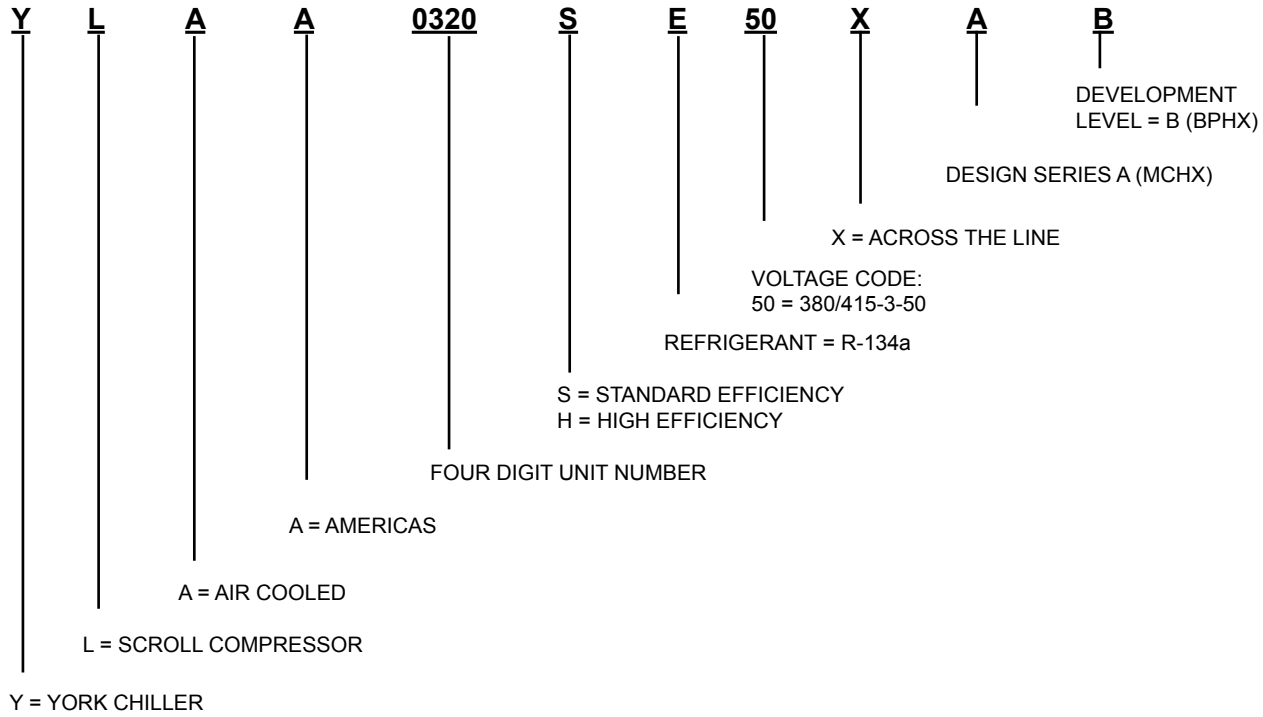
# MODEL YLAA AIR-COOLED SCROLL CHILLERS WITH BRAZED PLATE HEAT EXCHANGERS STYLE B

50 – 150 TON  
180 – 530 kW  
50 Hz  
R-410A



BY JOHNSON CONTROLS

# Nomenclature



# Approvals

- ASME Boiler and Pressure Vessel Code – Section VIII Division 1.
- AHRI Standard 550/590.
- UL 1995 – Heating and Cooling Equipment
- ASHRAE 15 – Safety Code for Mechanical Refrigeration
- ASHRAE Guideline 3 – Reducing Emission of Halogenated Refrigerants in Refrigeration and Air-Conditioning Equipment and Systems
- N.E.C. – National Electrical Code
- OSHA – Occupational Safety and Health Act



# ***Table Of Contents***

NOMENCLATURE .....	2
APPROVALS .....	2
TABLE OF CONTENTS .....	3
INTRODUCTION .....	5
EQUIPMENT OVERVIEW .....	8
UNIT COMPONENTS .....	15
ACCESSORIES AND OPTIONS .....	16
DESIGN PARAMETERS .....	20
WATER PRESSURE DROP .....	21
PHYSICAL DATA AND RATINGS .....	22
UNIT DIMENSIONS .....	24
ISOLATOR LOCATIONS .....	30
ELECTRICAL NOTES .....	32
WIRING LUGS .....	34
ELECTRICAL DATA W/O PUMPS .....	36
WIRING DIAGRAM .....	38
USER CONTROL WIRING .....	40
NOTES .....	42
APPLICATION DATA .....	44
GUIDE SPECIFICATIONS .....	46

THIS PAGE INTENTIONALLY LEFT BLANK.

# Introduction

Johnson Controls, the building efficiency leader, is proud to present the YORK Model YLAA Air-Cooled Scroll Chiller.

## FEATURES AND BENEFITS

### Installation

The YLAA chiller arrives as a factory-assembled package ready to be installed outdoors, either on the roof or at ground level. The air-cooled condensers eliminate the capital, installation and maintenance costs of a cooling-tower circuit.

The YLAA weighs less and has a smaller footprint than other chillers in its class. In fact, it is 20-35% lighter weight than the market average chiller. When the chiller is roof-mounted in new construction, the cost of the support structure can be reduced. In building retrofits, the YLAA can provide the largest capacity in a given space and existing structure.

Power hook-up could not be any easier with the standard single-point connection. A terminal block, disconnect switch or circuit breaker is provided to meet the unique needs of every project and minimize installation time and labor. The factory-installed control transformer steps down the power voltage to the control voltage.

Chilled-water piping is also simple. The water connections are factory-piped to the outside of the unit, for ease of access. Factory-cut grooves, or optional flanges, make piping connections simple. Optional factory-installed pump kits eliminate the time, cost, and mechanical-equipment room space necessary to install chilled-water pumps.

Press the start button with confidence – your YLAA has been run-tested at the factory to ensure that you will have a successful start-up.

### Reliability

The YLAA chiller is proven and reliable, designed to reduce service calls. The scroll compressors have logged hundreds of thousands of operating hours in numerous different applications. The corrosive-resistant condenser heat exchangers have been specifically designed for stationary HVAC applications and have undergone extensive laboratory and field testing to extend chiller life and improve performance. They are also more rigid than standard condenser coils, making them less susceptible to damage during rigging, lifting, and installation of the chiller.

Components are designed to keep the chiller up-and-running. A factory-installed water strainer prevents debris from affecting unit flow and/or heat transfer. The rugged thermal-dispersion flow switch is factory-installed at the optimum location in the piping for superior flow sensing, reducing the potential for nuisance trips. Intelligent controls protect the chiller while keeping it online, for maximum uptime. Exterior panels of the chiller are powder-coated with highly durable corrosion-resistant paint.

### Efficiency

## ***Introduction (Cont'd)***

YLAA high-efficiency chillers, with their innovative control algorithms, offer industry-leading energy efficiency. Real-world energy efficiency is measured by IPLV (off-design) performance, and YLAA chillers provide some of the best IPLVs in their class.

YLAA also offers an efficiency choice. In addition to the high-efficiency units, YLAA chillers are available in standard efficiency models with smaller footprints and lower capital costs.

Only pay for the chiller you need – the multi-efficiency levels of the YLAA allow you to decide the best investment for the job.

### **Flexibility**

The YLAA chiller offers a number of options designed to operate reliably across a wide range of customer needs. It can cool glycol down to 10°F (-12°C). It can provide heat recovery up to 140°F (60°C), with up to 85% of total heat rejection captured.

When factory-mounted pump kits are considered, there are now more pump sizes to choose from. The optional kits come standard with valves, pressure ports, flow switch, and strainer for quick hook-up, and frost protection to prevent freeze-up. There are also more pump options available: variable-speed drives, dual pumps, service shut-off valves, expansion tanks, and additional test ports for temperature and pressure sensing.

Standard low sound and multiple sound attenuation options allow flexibility in locating the chiller, and reduce the cost for field-constructed barriers.

### **Sustainability**

The YLAA makes you a leader in sustainability through innovation, not added cost. With the combination of R-410A refrigerant, which has no ozone-depletion potential, and state-of-the-art heat exchanger technology that allows refrigerant charge to be reduced by as much as 30%, the YLAA chiller provides the most ecologically friendly equipment. Partnered with its low-sound properties for noise pollution prevention, this chiller is a true earth-friendly offering.

### **Communications**

The YLAA chiller comes standard with native communication capability for BACnet (MS/TP), Modbus, and N2, with optional capabilities available for LON. The standard unit capabilities include built-in-scheduling, remote start-stop, remote water temperature reset and up to two steps of demand (load) limiting depending on model. The standard control panel can be directly connected to a Johnson Controls Building Automated System via the standard factory-installed RS232 communication port.

## ***Introduction (Cont'd)***

### **Serviceability**

Minimal maintenance is required to keep the unit operating at maximum performance. If service should ever be required, the YLAA chiller has been designed to simplify the work, keeping costs down. The layout of the chiller locates all the major components that can be serviced near the outside edge. The condenser heat exchangers are light enough that no crane is required for replacement. And when it's time to clean them, city tap water, with water pressure typical of a spray from a common garden hose, is all that's needed.

## Equipment Overview

The 50 - 150 Ton (180 - 530 kW) YLAA models are shipped complete from the factory ready for installation and use. The unit is pressure-tested, evacuated, and fully charged with a zero Ozone Depletion Potential Refrigerant R-410A and includes an initial oil charge. After assembly, a complete operational test is performed with water flowing through the evaporator to assure that the refrigeration circuit operates correctly.

The unit structure is heavy-gauge, galvanized steel. This galvanized steel is coated with baked-on powder paint, which, when subjected to ASTM B117 1000 hour, salt spray testing, yields a minimum ASTM 1654 rating of "6". Units are designed in accordance with NFPA 70 (National Electric Code), ASHRAE/ANSI 15 Safety code for mechanical refrigeration, ASME and rated in accordance with AHRI Standard 550/590.

### COMPRESSORS

The chiller has suction-gas cooled, hermetic scroll compressors. The YLAA compressors incorporate a compliant scroll design in both the axial and radial direction. All rotating parts are statically and dynamically balanced. A large internal volume and oil reservoir provides greater liquid tolerance. Compressor-crankcase heaters are also included for extra protection against liquid migration.



LD18425

### BRAZED PLATE EVAPORATOR

The compact, high efficiency Brazed Plate Heat Exchanger (BPHE) is constructed with 316L stainless steel corrugated channel plates with a filler material between each plate. It offers excellent heat transfer performance with a compact size and low weight, reducing structural steel requirements on the job site.



## Equipment Overview (Cont'd)



LD18426

The heat exchanger is manufactured in a precisely controlled vacuum-brazing process that allows the filler material to form a brazed joint at every contact point between the plates, creating complex channels. The arrangement is similar to older plate and frame technology, but without gaskets and frame parts.

Water inlet and outlet connections are 3" in diameter and are grooved for compatibility with field supplied ANSI/AWWA C-606 couplings.

A 20 mesh wye-strainer is provided as standard to provide protection at the evaporator inlet, particularly at system start-up when construction debris may be present in the piping system.

The evaporator is equipped with a thermostat-controlled heater. The heater provides freeze protection for the evaporator down to -20°F (-29°C) ambient. The evaporator is covered with 3/4" flexible, closed-cell, foam insulation (K=0.25).

A factory-wired flow switch is standard, installed in a pipe section at the outlet of the evaporator.

## Equipment Overview (Cont'd)

### CANADIAN REGISTRATION NUMBER (CRN) APPLICATION & PROOF OF CONFORMANCE

Reference Table 1 for YLAA brazed plate evaporator Canadian Registration Numbers (CRN) for all Canadian Provinces. Since all YLAA brazed plate evaporators are categorized as pressure "H" fittings per CSA-B51, a CRN label or marking is not provided on the evaporator. According to the Canadian Standards Association's Boiler, pressure vessel, and pressure piping code B-51 (2009 version), a product registered as a category "H" fitting does not require a label or marking displaying the CRN.

**TABLE 1 - CANADIAN REGISTRATION NUMBERS**

CANADIAN PROVINCE	CRN#
BC	OH13953.51
AB	OH13953.52
ON	OH13953.5
PQ/MB/SK	OH13953.56
NB	OH13953.57
NS	OH13953.58
PEI	OH13953.59
NF	OH13953.50
NU	OH13953.5N
NWT	OH13953.5T
YU	OH13953.5Y

### CONDENSER

**Coils** - Condenser coils are made of a single material to avoid galvanic corrosion due to dissimilar metals. Coils and headers are brazed as one piece. Integral sub cooling is included. The design working pressure of the coil is 650 PSIG (45 bar). Condenser coil is easily washable with clear water up to 100 psi (7 bar).



LD18427

**Fans** – The condenser fans are composed of corrosion resistant aluminum hub and glass-fiber-reinforced polypropylene composite blades molded into a low-noise airfoil section. They are designed for maximum efficiency and are statically and dynamically balanced for vibration-free operation. They are directly driven by independent motors, and positioned for vertical air discharge. The fan guards are constructed of heavy-gauge, rust-resistant, coated steel. All blades are statically and dynamically balanced for vibration-free operation.

## Equipment Overview (Cont'd)



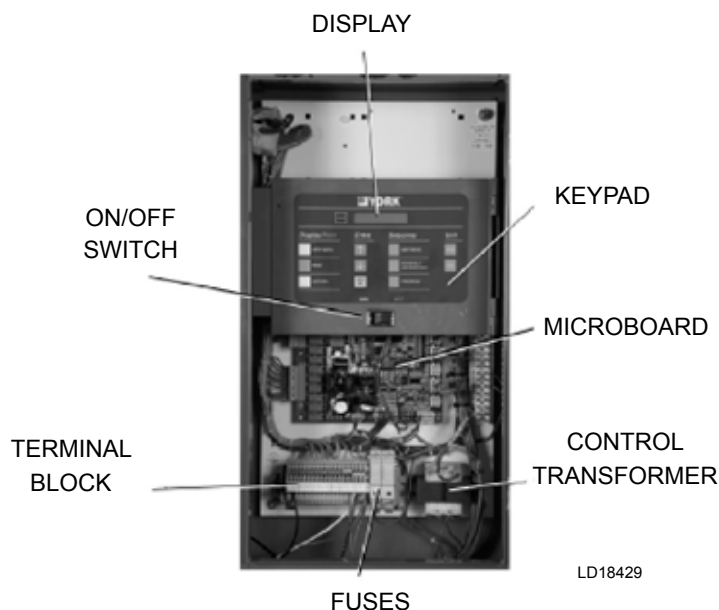
LD18428

**Motors** – The fans are driven by Totally Enclosed Air-Over, squirrel-cage type, current protected motors. They feature ball bearings that are double-sealed and permanently lubricated.

### UNIT CONTROL SYSTEM

The YLAA chiller is designed with an intelligent control system that operates the chiller automatically with maximum reliability, safety and ease of use. The controls are factory tested and with as little user input as a chilled liquid setpoint the chiller will operate to meet the load demand.

The control system includes native BACnet MS/TP, Modbus and N2 communications, with LON protocol served through an optional eLink communications card.



LD18429

The operating program is stored in non-volatile memory (EPROM), so power failures and battery discharge will not require reprogramming the chiller. Programmed setpoints are retained in lithium battery-backed RTC memory for 5 years minimum.

## Equipment Overview (Cont'd)

Unit alarm contacts are standard. Contacts for remote chilled liquid temperature reset and two steps of demand load limiting are also standard, for projects without BAS or for redundancy.

Maximum reliability is achieved through intelligent control. Run hours and starts are averaged across all compressors automatically, and between both pumps of the optional dual pump hydro-kit. When compressors are cycled off, an anti-recycle timer ensures the motors have time to cool before starting again, for the maximum service life. At unit shutdown, the unit pumps down automatically to prevent liquid refrigerant from entering the compressors at restart, which can cause premature bearing wear and other compressor damage.

Liquid temperature sensors provide feedback to the controller, and logic predicts when additional capacity will be required based on how quickly the unit has loaded or unloaded in the past. This prevents unnecessary compressor cycling and helps maintain setpoint accurately.

If there is a problem that prevents the unit operating properly, the controls are designed to allow the unit to operate safely while making as much capacity as possible. For example, if airflow to the condenser coil is diminished due to a dirty coil, the chiller will unload slightly to provide maximum capacity possible while remaining within the unit operating envelope.

If a fault prevents the unit from starting or causes it to shutdown, the chiller will attempt to restart three times. If it cannot start, a manual reset is required to alert the operator about the fault condition. The fault history is stored in the unit controller RTC memory for the last six fault shutdown conditions. An RS-232 port provides capability to print hard copy reports (printer available separately).

All controls are contained in a NEMA 3R cabinet with a hinged outer door and includes a liquid crystal display (LCD) with light emitting diode (LED) backlighting for outdoor viewing. There are two display lines, each with twenty text characters per line, and a color coded 12-button non-tactile keypad with sections for display, entry and printing.

**DISPLAY/PRINT** provides quick access to frequently needed information:

- Chilled liquid temperatures
- Ambient temperature
- System pressures (each circuit)
- Operating hours and starts (each compressor)
- Operating data for the systems

**ENTRY** section allows entering setpoints or modifying system values.

**SETPOINTS** updating can be performed to:

- Chilled liquid temperature setpoint and range
- Remote reset temperature range
- Set daily schedule/holiday for start/stop
- Manual override for servicing
- Low and high ambient cut-outs
- Number of compressors

## ***Equipment Overview (Cont'd)***

- Low liquid temperature cut-out
- Low suction pressure cut-out
- High discharge pressure cut-out
- Anti-recycle timer (compressor start cycle time)
- Anti-coincident timer (delay compressor starts)

### **UNIT** section to:

- Set time
- Set unit options

In addition, the microprocessor control center is capable of displaying the following data points:

- Return and leaving liquid temperature
- Low leaving liquid temperature cut-out setting
- Low ambient temperature cut-out setting
- Outdoor air temperature
- English or Metric data
- Suction pressure cut-out setting
- Each system suction pressure
- Discharge pressure (optional)
- Anti-recycle timer status for each system
- Anti-coincident system start timer condition
- Compressor run status
- Day, date and time
- Daily start/stop times
- Holiday status
- Automatic or manual system lead/lag control
- Lead system definition
- Compressor starts & operating hours (each compressor)
- Status of hot gas valves, evaporator heater and fan operation
- Run permissive status
- Number of compressors running
- Liquid solenoid valve status

## Equipment Overview (Cont'd)

- Load & unload timer status
- Water pump status

### COMMUNICATIONS

- Native communication capability for BACnet (MS/TP), Modbus and N2
- Optional communication available for LON via eLink option

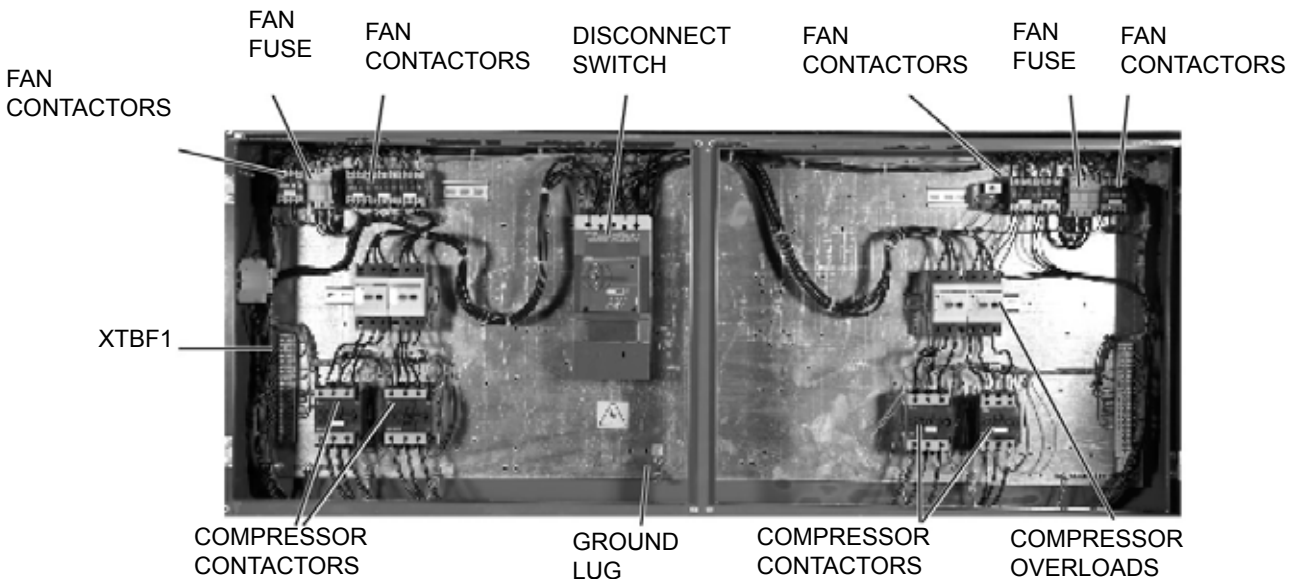
### BUILDING AUTOMATION SYSTEM INTERFACE

In addition to native BACnet, Modbus and N2, the YLAA chiller accepts a 4-20 milliamp or 0-10VDC input to reset of the leaving chilled liquid temperature. The standard unit capabilities include remote start-stop, remote water temperature reset via up to two steps of demand (load) limiting depending on model. The standard control panel can be directly connected to a Johnson Controls Building Automated System via the standard on-board RS232 communication port. (Factory- installed)

### POWER PANEL

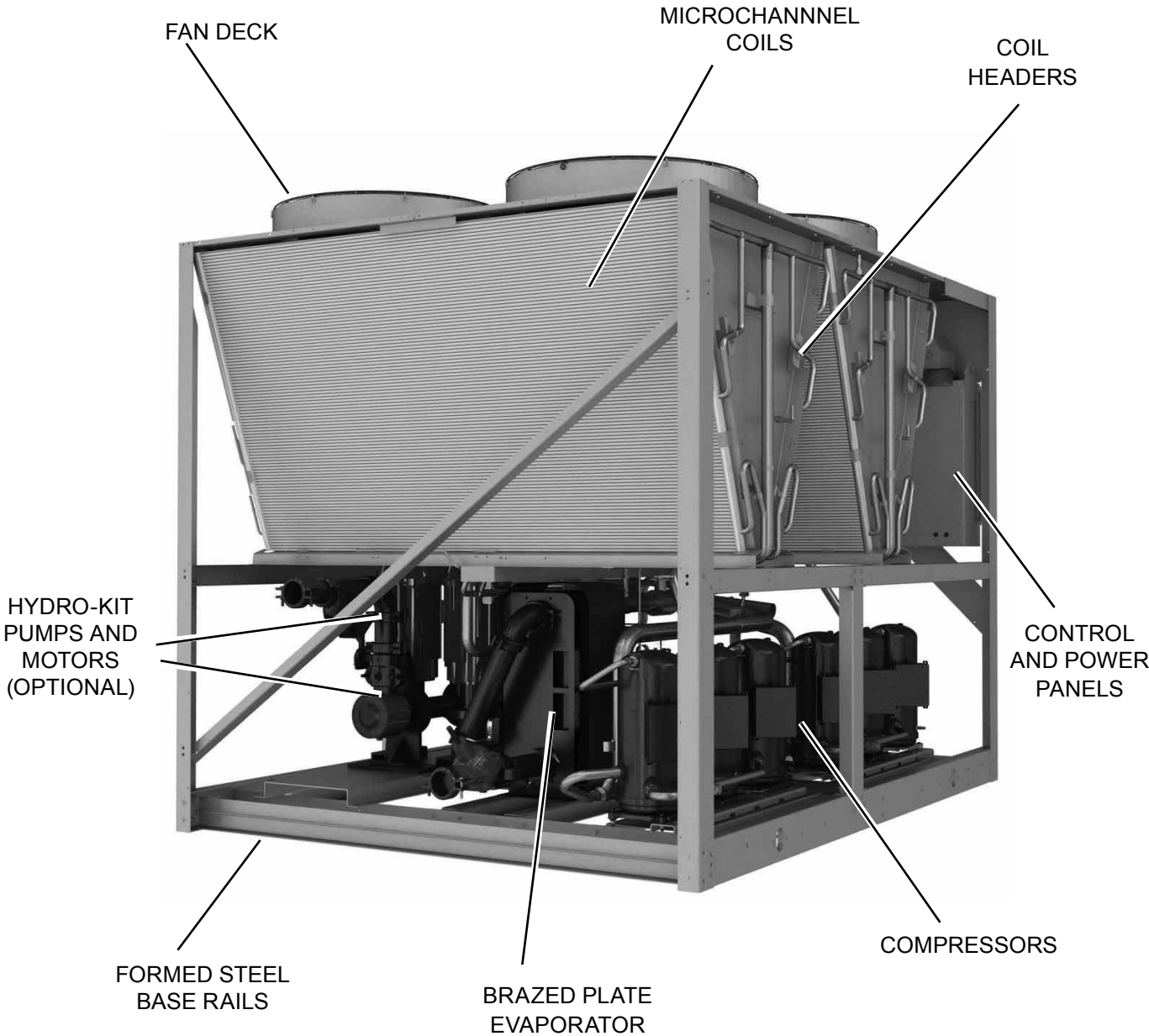
- Each panel contains:
- Compressor power terminals
- Compressor motor starting contactors per I.E.C.
- Control power terminals to accept incoming for 115-1-60 control power
- Fan contactors & overload current protection

The power wiring is routed through liquid-tight conduit to the compressors and fans.



LD18430

# Unit Components



LD18426

FIGURE 1 - GENERAL UNIT COMPONENTS

## Accessories and Options

### POWER OPTIONS:

**Unit Power Connections** – Single-point terminal block connection(s) are provided as standard. The following power connections are available as options. (See electrical data for specific voltage and options availability.) **(Factory installed)**

**Single-Point Supply Terminal Block** – Includes enclosure, terminal-block and interconnecting wiring to the compressors. Separate external protection must be supplied, by others, in the incoming compressor-power wiring. (Do not include this option if either the Single-Point Non-Fused Disconnect Switch or Single-Point Circuit Breaker options have been included.)

**Single-Point Non-Fused Disconnect Switch** – Unit-mounted disconnect switch(es) with external, lockable handle (in compliance with Article 440-14 of N.E.C.) can be supplied to isolate the unit power voltage for servicing. Separate external fusing must be supplied, by others in the power wiring, which must comply with the National Electrical Code and/or local codes.

**Single-Point Circuit Breaker** – A unit mounted circuit breaker with external, lockable handle (in compliance with NEC Article 440-14), can be supplied to isolate the power voltage for servicing. (This option includes the Single-Point Power connection.)

**Multiple Point Supply With Individual System Circuit Breakers** – Two unit-mounted circuit breakers, with external lockable handles (in compliance with NEC Article 440-14), can be supplied to isolate the power voltage for servicing. **(SQ only)**

**Control Transformer** – Converts unit power voltage to 115-1-60 (0.5 or 1.0 kVA capacity). Factory mounting includes primary and secondary wiring between the transformer and the control panel. **(Factory installed)**

**Power Factor Correction Capacitors** – Will correct unit compressor power factors to a 0.90-0.95. **(Factory installed)**

### CONTROL OPTIONS:

**High Ambient Kit** – Allows units to operate when the ambient temperature is above 46°C (115°F). Includes sun shield panels and discharge pressure transducers.

**Low Ambient Kit** – Standard units will operate to -1°C (30°F). This accessory includes all necessary components to permit chiller operation to -18°C (0°F). (This option includes the discharge pressure transducer/readout capability option.) For proper head pressure control in applications below -1°C (30°F) where wind gusts may exceed 8 kph (5 mph), it is recommended that optional condenser louvered enclosure panels also be included. **(Factory installed)**

**Language LCD And Keypad Display** – Spanish, French, German, and Italian unit LCD controls and keypad display available. Standard language is English.



## Accessories and Options (Cont'd)

### COMPRESSOR, PIPING, EVAPORATOR OPTIONS:

**Low Temperature Glycol** – Replaces standard Thermostatic Expansion Valves with Electronic Expansion Valves to achieve leaving glycol temperatures as low as -12°C (10°F). Required for any leaving liquid temperature below -1°C (30°F). Electronic Expansion Valves permit operation at both low temperatures and comfort cooling applications without a capacity loss or derate at either condition. **(Factory installed)**

**Chicago Code Relief Valves** – Unit will be provided with relief valves to meet Chicago code requirements. **(Factory installed)**

**Service Suction Isolation Valve** – Service suction discharge (ball-type) isolation valves are added to unit per system (discharge service ball-type isolation valve is standard on each circuit). **(Factory installed)**

**Hot Gas By-Pass** – Permits continuous, stable operation at capacities below the minimum step of compressor unloading to as low as 5% capacity (depending on both the unit and operating conditions) by introducing an artificial load on the evaporator. Hot gas by-pass is installed on only refrigerant system #1. **(Factory installed)**

**Thermal Dispersion Flow Switch** – A thermal dispersion type flow switch provides accurate, low maintenance flow proving and is included standard. It is factory wired and installed in the extension pipe between evaporator outlet and edge of chiller. The extension pipe is secured to the chiller frame for shipping to avoid risk of damage to evaporator and is easily attached to the evaporator at startup using the supplied ANSI/AWWA C-606 connector. The flow switch can be deleted if alternate or existing flow switch is field supplied.

**Evaporator Nozzle Extension Kit** – Pipe and ANSI/AWWA C-606 fittings to extend the evaporator connections to the outside of the chiller. Includes the Thermal Dispersion Flow Switch. Provided as standard on all chillers but can be deleted if alternate or existing piping and flow switch is field supplied. The extension pipe is secured to the chiller frame for shipping to avoid risk of damage to evaporator and is easily attached to the evaporator at startup using the supplied ANSI/AWWA C-606 connector. A support bracket for the extension kit or field piping is standard on all chillers.

**Heat Recovery Condenser** – A partially condensing refrigerant to liquid condenser recovers heat off both refrigerant circuits and rejects into a single liquid circuit. Factory installed between the compressor discharge and the condenser (air) coils to capture the maximum amount of heat. Capable of recovering up to 85% total heat of rejection (cooling load plus work input); temperatures as high as 60°C (140°F) are possible.

**Hydro-Kit** – Factory installed Hydro-Kit suitable for water glycol systems with up to 35% glycol at leaving temperatures down to 20°F. The hydro-kit option is available in a single or dual configuration (dual as standby duty only), with totally enclosed permanently lubricated pump motors.

The hydro-kit option comes standard with a balancing valve, discharge check valve, discharge shutoff valve, thermal dispersion flow switch, pressure ports, inlet wye-strainer, bleed and drain valves and frost protection.

Service shut off valves, additional pressure ports and expansion tanks are optional within the hydro-kit option.

## Accessories and Options (Cont'd)

### CONDENSER AND CABINET OPTIONS:

Condenser coil protection against corrosive environments is available by choosing any of the following options. For additional application recommendations, contact your local Johnson Controls office. **(Factory installed)**

**Post-Coated Condenser Coils** – The unit is built with electrostatic post-coated condenser coils. This is the choice for corrosive applications (with the exception of strong alkalis, oxidizers and wet bromine, chlorine and fluorine in concentrations greater than 100 ppm).

**Enclosure Panels (Unit)** – Tamperproof enclosure panels prevent unauthorized access to units. Enclosure panels can provide an aesthetically pleasing alternative to expensive fencing. Additionally, for proper head pressure control, Johnson Controls recommends the use of Condenser Louvered Panels for winter applications where wind gusts may exceed 8 kph (5 mph). The following types of enclosure panels are available:

**Wire Panels (Full Unit)** – Consists of welded wire-mesh guards mounted on the exterior of the unit. Prevents unauthorized access, yet provides free air flow. **(Factory installed)**

**Wire/Louvered Panels** – Consists of welded wire-mesh panels on the bottom part of unit and louvered panels on the condenser section of the unit. **(Factory-mounted)**.

**Louvered Panels (Condenser Coil Only)** – Louvered panels are mounted on the sides and ends of the condenser coils for protection. **(Factory installed)**

**Louvered Panels (Full Unit)** – Louvered panels surround the front, back, and sides of the unit. They prevent unauthorized access and visually screen unit components. Unrestricted air flow is permitted through generously sized louvered openings. This option is applicable for any outdoor design ambient temperature up to 46°C (115°F). **(Factory installed)**

**Coil End Hail Guard** – Louvered panel attached to exposed coil end. **(Factory installed)**

## ***Accessories and Options (Cont'd)***

### **SOUND ATTENUATION:**

One or both of the following sound attenuation options are recommended for residential or other similar sound sensitive locations.

**Compressor Acoustic Sound Blanket** – Each compressor is individually enclosed by an acoustic sound blanket. The sound blankets are made with one layer of acoustical absorbent textile fiber of 15mm (5/8”) thickness; one layer of heavy duty anti-vibration material thickness of 3mm (1/8”). Both are closed by two sheets of welded PVC, reinforced for temperature and UV resistance. (**Factory installed**)

**Ultra Quiet Fans** – Lower RPM, 8-pole fan motors are used with steeper-pitch fans. (**Factory installed**)

### **VIBRATION ISOLATION**

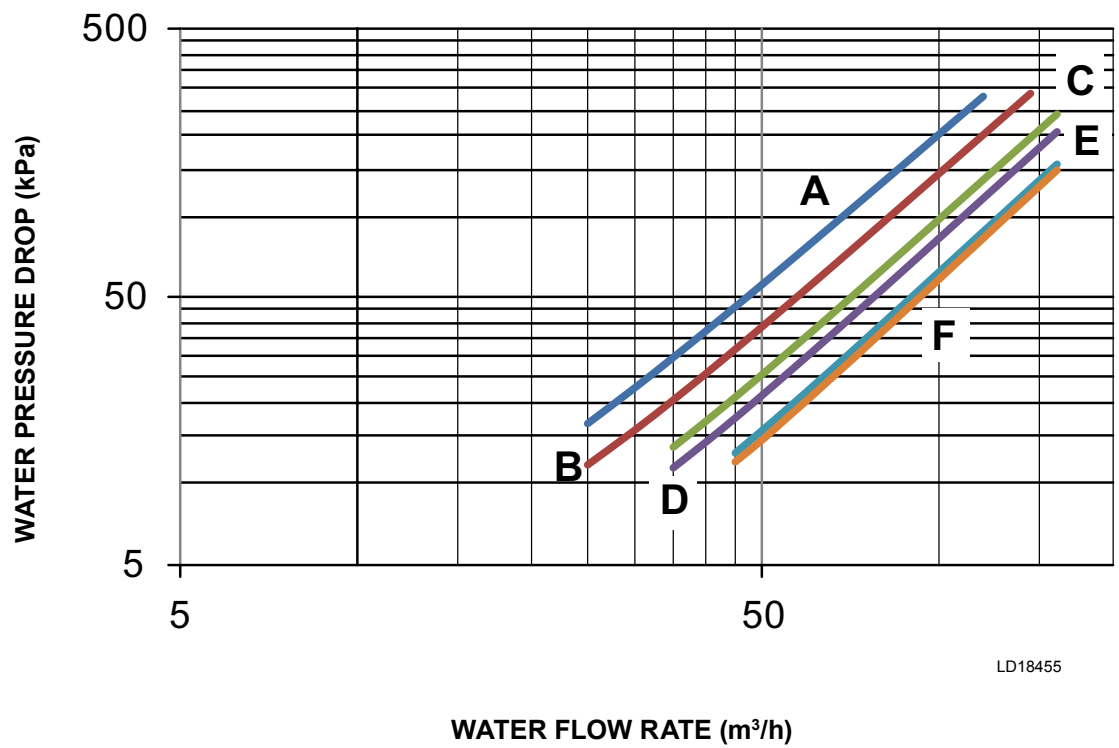
**Vibration Isolators** – Level adjusting, spring type 1” (25.4mm), 2” (50.8 mm) deflection, or neoprene isolators for mounting under unit base rails. (**Field installed**)

## Design Parameters

NOMINAL EVAPORATOR WATER FLOW						
UNIT DESIGNATION	TEMPERATURE (°C)		WATER FLOW (l/s)		AIR ON CONDENSER (°C)	
	MIN <sup>1</sup>	MAX <sup>2</sup>	MIN	MAX	MIN <sup>3</sup>	MAX <sup>4</sup>
<b>STANDARD EFFICIENCY</b>						
YLAA0180SE	4.4	12.8	5	12.6	-17.8	51.7
YLAA0210SE	4.4	12.8	5	12.6	-17.8	51.7
YLAA0241SE	4.4	12.8	5	12.6	-17.8	51.7
YLAA0286SE	4.4	12.8	6.3	22.4	-17.8	51.7
YLAA0320SE	4.4	12.8	6.3	24.3	-17.8	51.7
YLAA0360SE	4.4	12.8	6.3	24.3	-17.8	51.7
YLAA0400SE	4.4	12.8	7.6	39.4	-17.8	51.7
YLAA0435SE	4.4	12.8	7.6	39.4	-17.8	51.7
YLAA0485SE	4.4	12.8	9.5	39.4	-17.8	51.7
<b>HIGH EFFICIENCY</b>						
YLAA0195HE	4.4	12.8	6.3	22.4	-17.8	51.7
YLAA0221HE	4.4	12.8	6.3	22.4	-17.8	51.7
YLAA0261HE	4.4	12.8	6.3	24.3	-17.8	51.7
YLAA0300HE	4.4	12.8	6.3	24.3	-17.8	51.7
YLAA0350HE	4.4	12.8	7.6	39.4	-17.8	51.7
YLAA0390HE	4.4	12.8	9.5	39.4	-17.8	51.7
YLAA0441HE	4.4	12.8	9.5	39.4	-17.8	51.7
YLAA0456HE	4.4	12.8	7.6	39.4	-17.8	51.7
YLAA0516HE	4.4	12.8	11.3	41.0	-17.8	51.7

# Water Pressure Drop

YLAA EVAPORATOR PRESSURE DROP CURVE



LD18455

EVAPORATOR	YLAA MODELS
A	180SE, 210SE, 241SE
B	0286SE, 0195HE, 0221HE
C	0320SE, 0360SE, 0261HE, 0300HE
D	0400SE, 0435SE, 0350HE, 0455HE, 0456HE
E	0485SE, 0390HE, 0441HE
F	0516HE

# Physical Data and Ratings

REFRIGERANT R-410A	YLAA								
	STANDARD EFFICIENCY UNITS								
GENERAL UNIT DATA	0180SE	0210SE	0241SE	0286SE	0320SE	0360SE	0400SE	0435SE	0485SE
Nominal Tons, R-410A	53.9	57.3	62.1	76.9	86.3	97.6	109.2	118.4	132.0
COP	2.99	2.34	2.78	2.61	2.37	2.66	2.55	2.70	2.55
IPLV	4.66	3.84	4.25	4.45	4.16	4.40	4.28	4.40	4.31
Length (mm)	2912	2912	2912	2912	2912	3614	3614	3614	3614
Width (mm)	2242	2242	2242	2235	2235	2242	2242	2242	2242
Height (mm)	2397	2397	2397	2397	2397	2397	2397	2397	2397
Number of Refrigerant Circuits	2	2	2	2	2	2	2	2	2
Refrigerant Charge, Operating R-410A, Ckt1 / Ckt2, kg	21/15	25/15	24/23	26/24	26/26	30/26	31/29	31/29	32/30
Oil Charge, Ckt1 / Ckt2, liters	9/6	11/6	9/9	9/11	11/11	16/9	16/11	16/14	16/16
Shipping Weight (kg)	1668	1702	1768	1831	1995	2781	2834	2604	2705
Operating Weight (kg)	1689	1723	1789	1857	2028	2814	2873	2642	2755
<b>Compressors, scroll type</b>									
Compressors Per Circuit	3/2	2/2	3/3	3/2	2/2	3/3	3/2	3/3	3/3
<b>Condenser</b>									
Total Face Area m <sup>2</sup>	7	7	10	10	10	13	13	15	15
Number of Rows	1	1	1	1	1	1	1	1	1
<b>Condenser Fans</b>									
Number of Fans, Ckt1 / Ckt2	2/2	2/2	2/2	2/2	2/2	3/2	3/2	3/3	3/3
Fan hp	2	2	2	2	2	2	2	2	2
Fan RPM	950	950	950	950	950	950	950	950	950
Total Chiller m <sup>3</sup> /sec	20	20	28	28	28	35	35	42	42
<b>Evaporator</b>									
Water Volume, liters	20.4	20.4	20.4	25.4	33.3	33.3	37.9	37.9	50.0
Maximum Water Side Pressure, bar	10.3	10.3	10.3	10.3	10.3	10.3	10.3	10.3	10.3
Maximum Refrigerant Side Pressure, bar	31	31	31	31	31	31	31	31	31
Water Connections Size, inch	3	3	3	3	3	3	3	3	3

## NOTES:

- Standard Rating Conditions per AHRI Standard 550/590.
- COP = Chiller COP (includes power from compressors, fans, and the control panels).
- Rated in accordance with AHRI Standard 550/590 at an air on condenser temperature of 95°F and a leaving chilled water temperature of 44°F.
- Additional rating information can be provided by your local Johnson Controls Sales Office.

## Physical Data and Ratings (Cont'd)

REFRIGERANT R-410A	YLAA								
	HIGH EFFICIENCY UNITS								
GENERAL UNIT DATA	0195HE	0221HE	0261HE	0300HE	0350HE	0390HE	441HE	456HE	516HE
Nominal TONs, R-410A	56.3	60.1	70.5	87.8	98.1	109.5	121.5	127.6	147.4
COP	3.11	3.22	3.11	3.11	3.11	3.02	3.02	3.05	3.05
IPLV	4.92	4.84	4.75	4.57	4.48	4.63	4.60	4.63	4.84
Length (mm)	2912	2912	2912	3614	3614	3614	4731	4731	4731
Width (mm)	2242	2242	2242	2235	2235	2242	2242	2242	2242
Height (mm)	2397	2397	2397	2397	2397	2397	2393	2393	2393
Number of Refrigerant Circuits	2	2	2	2	2	2	2	2	2
Refrigerant Charge, Operating R-410A, Ckt1 / Ckt2, kg	24/17	25/23	25/25	28/24	29/29	33/28	38/28	37/36	40/40
Oil Charge, Ckt1 / Ckt2, liters	9/6	9/6	9/9	12/10	11/11	16/9	16/11	16/14	16/16
Shipping Weight (kg)	1688	1700	1822	2137	2301	2458	3294	3444	3561
Operating Weight (kg)	1714	1725	1855	2170	2339	2508	3344	3482	3615
<b>Compressors, scroll type</b>									
Compressors Per Circuit	3/2	3/2	3/3	2/2	2/2	3/3	3/2	3/3	3/3
<b>Condenser</b>									
Total Face Area m <sup>2</sup>	7.4	10	10	12.6	15.1	15.1	17.6	20.1	20.1
Number of Rows	1	1	1	1	1	1	1	1	1
<b>Condenser Fans</b>									
Number of Fans, Ckt1 / Ckt2	2/2	2/2	2/2	3/2	3/3	4/2	4/3	4/4	4/4
Fan hp	2	2	2	2	2	2	2	2	2
Fan RPM	950	950	950	950	950	950	950	950	950
Total Chiller m <sup>3</sup> /sec	20	28	28	35	42	42	49	56	56
<b>Evaporator</b>									
Water Volume, liters	25.4	25.4	33.3	33.3	37.9	50.0	50	37.9	54
Maximum Water Side Pressure, bar	10.3	10.3	10.3	10.3	10.3	10.3	10.3	10.3	10.3
Maximum Refrigerant Side Pressure, bar	31	31	31	31	31	31	31	31	31
Water Connections Size, inch	3	3	3	3	3	3	4*	4*	4*

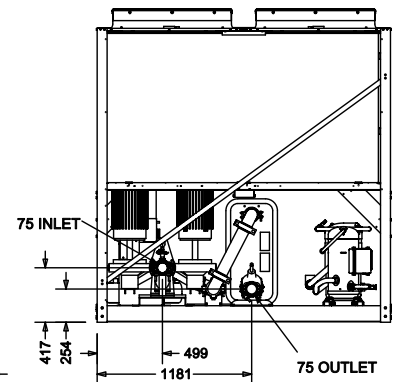
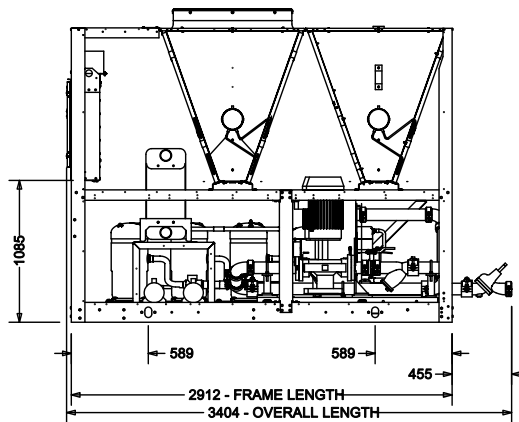
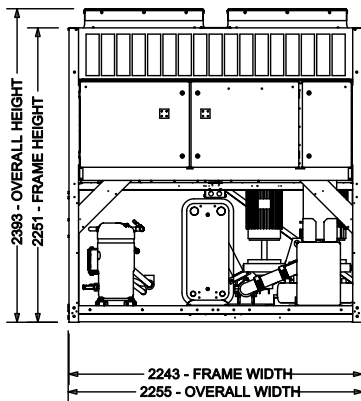
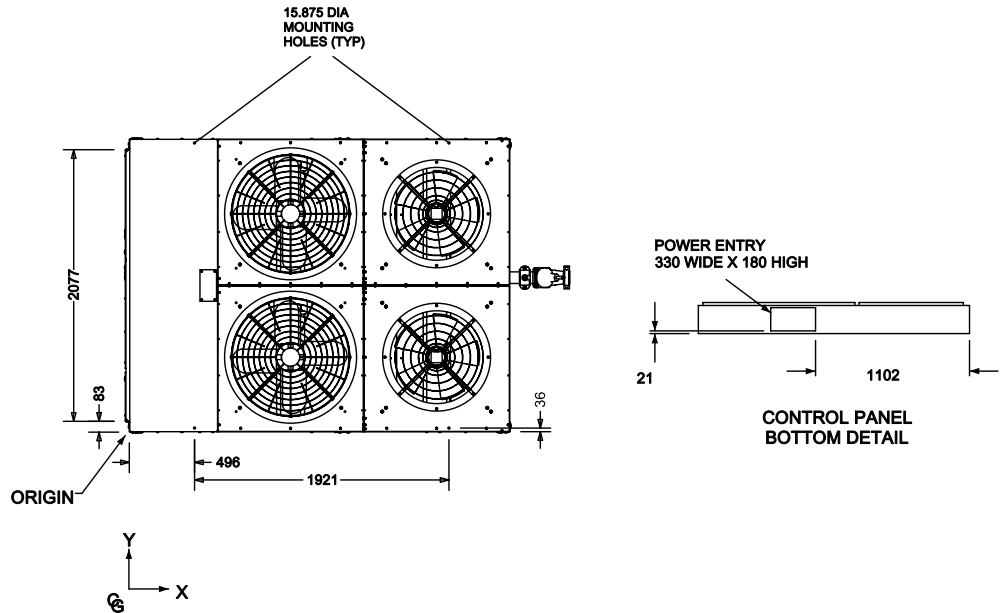
\* Side extension kit (standard), evaporator nozzle remains 3"

### NOTES:

- Standard Rating Conditions per AHRI Standard 550/590.
- COP = Chiller COP (includes power from compressors, fans, and the control panels).
- Rated in accordance with AHRI Standard 550/590 at an air on condenser temperature of 95°F and a leaving chilled water temperature of 44°F.
- Additional rating information can be provided by your local Johnson Controls Sales Office.

# Unit Dimensions

YLAA0180SE, 0210SE, 0195HE



LD18445

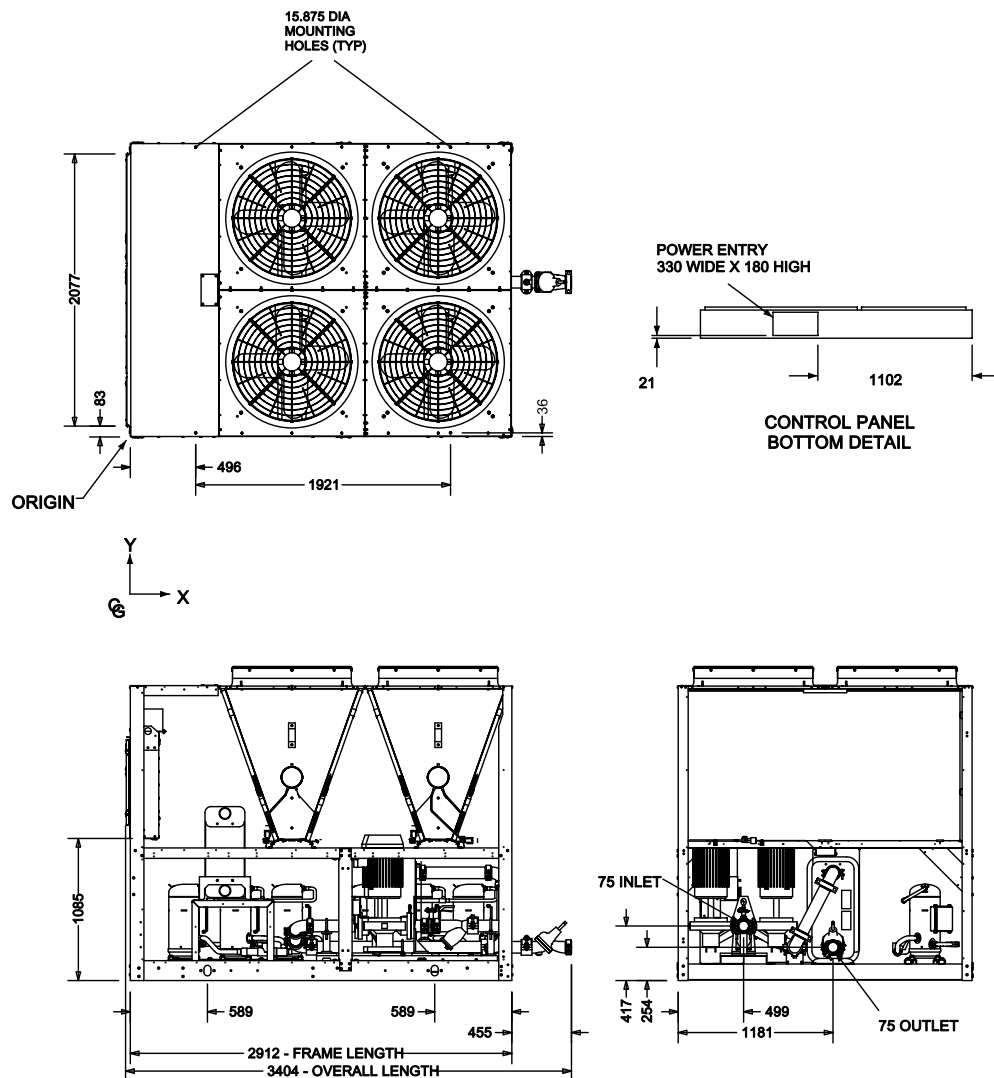
**NOTE:**

Placement on a level surface of free of obstructions (including snow, for winter operation) or air circulation ensures rated performance, reliable operation, and ease of maintenance. Site restrictions may compromise minimum clearances indicated below, resulting in unpredictable airflow patterns and possible diminished performance. Johnson Controls's unit controls will optimize operation without nuisance high-pressure safety cutouts; however, the system designer must consider potential performance degradation. Access to the unit control center assumes the unit is no higher than on spring isolators. Recommended minimum clearances: Side to wall – 2m (6'); rear to wall – 2m (6'); control panel to end wall – 1.2m (4'0"); top – no obstructions allowed; distance between adjacent units – 10'. No more than one adjacent wall may be higher than the unit.



# Unit Dimensions (Cont'd)

YLAA0240SE, 0285SE, 0320SE



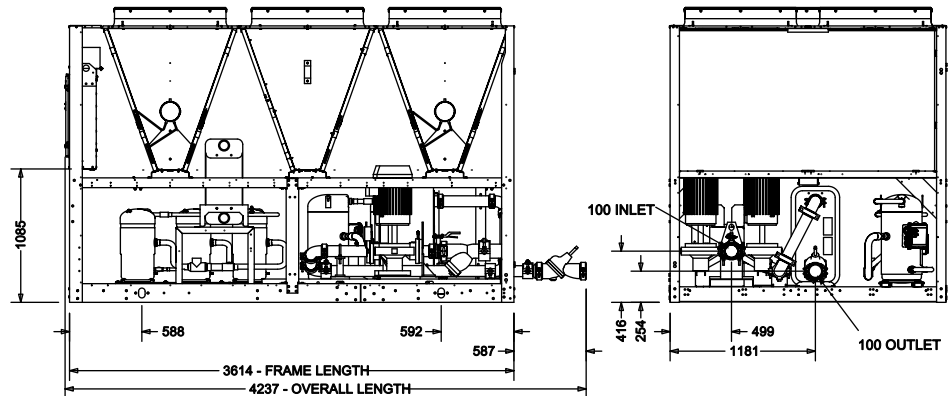
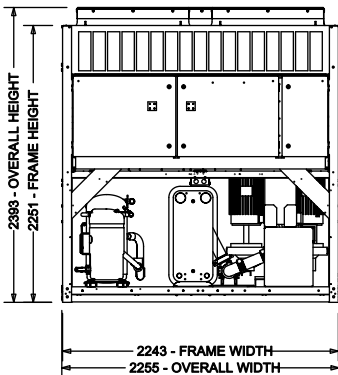
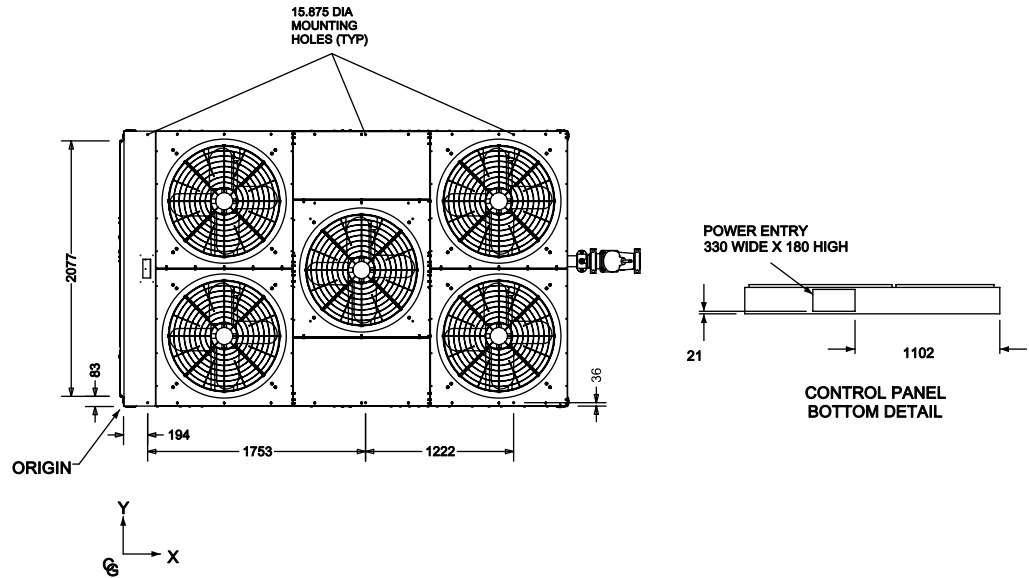
LD18446

**NOTE:**

Placement on a level surface of free of obstructions (including snow, for winter operation) or air circulation ensures rated performance, reliable operation, and ease of maintenance. Site restrictions may compromise minimum clearances indicated below, resulting in unpredictable airflow patterns and possible diminished performance. Johnson Controls's unit controls will optimize operation without nuisance high-pressure safety cutouts; however, the system designer must consider potential performance degradation. Access to the unit control center assumes the unit is no higher than on spring isolators. Recommended minimum clearances: Side to wall - 2m (6'); rear to wall - 2m (6'); control panel to end wall - 1.2m (4'0"); top - no obstructions allowed; distance between adjacent units - 10'. No more than one adjacent wall may be higher than the unit.

# Unit Dimensions (Cont'd)

YLAA0360SE, 0400SE, 0300HE



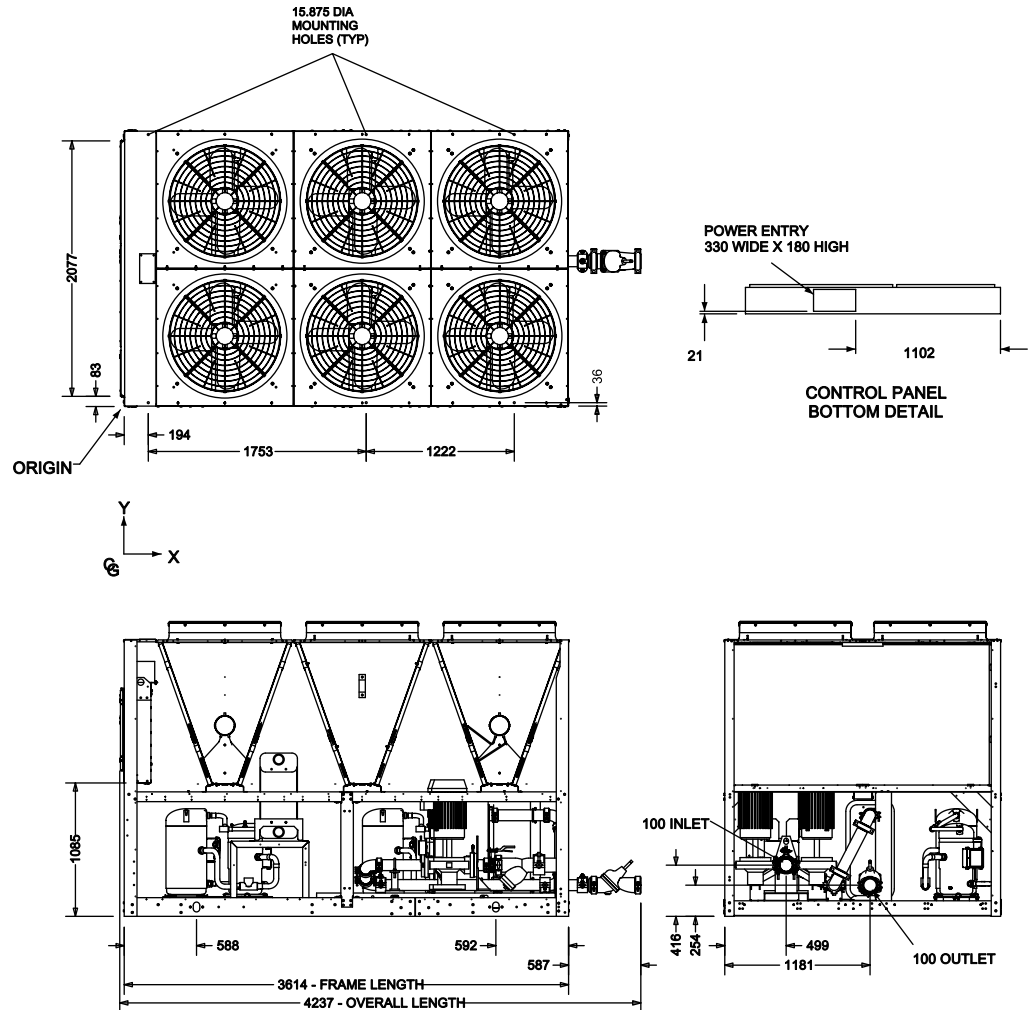
LD18447

**NOTE:**

Placement on a level surface of free of obstructions (including snow, for winter operation) or air circulation ensures rated performance, reliable operation, and ease of maintenance. Site restrictions may compromise minimum clearances indicated below, resulting in unpredictable airflow patterns and possible diminished performance. Johnson Controls's unit controls will optimize operation without nuisance high-pressure safety cutouts; however, the system designer must consider potential performance degradation. Access to the unit control center assumes the unit is no higher than on spring isolators. Recommended minimum clearances: Side to wall – 2m (6'); rear to wall – 2m (6'); control panel to end wall – 1.2m (4'0"); top – no obstructions allowed; distance between adjacent units – 10'. No more than one adjacent wall may be higher than the unit.

# Unit Dimensions (Cont'd)

YLAA0435SE, 0485SE, 0350HE, 0390HE



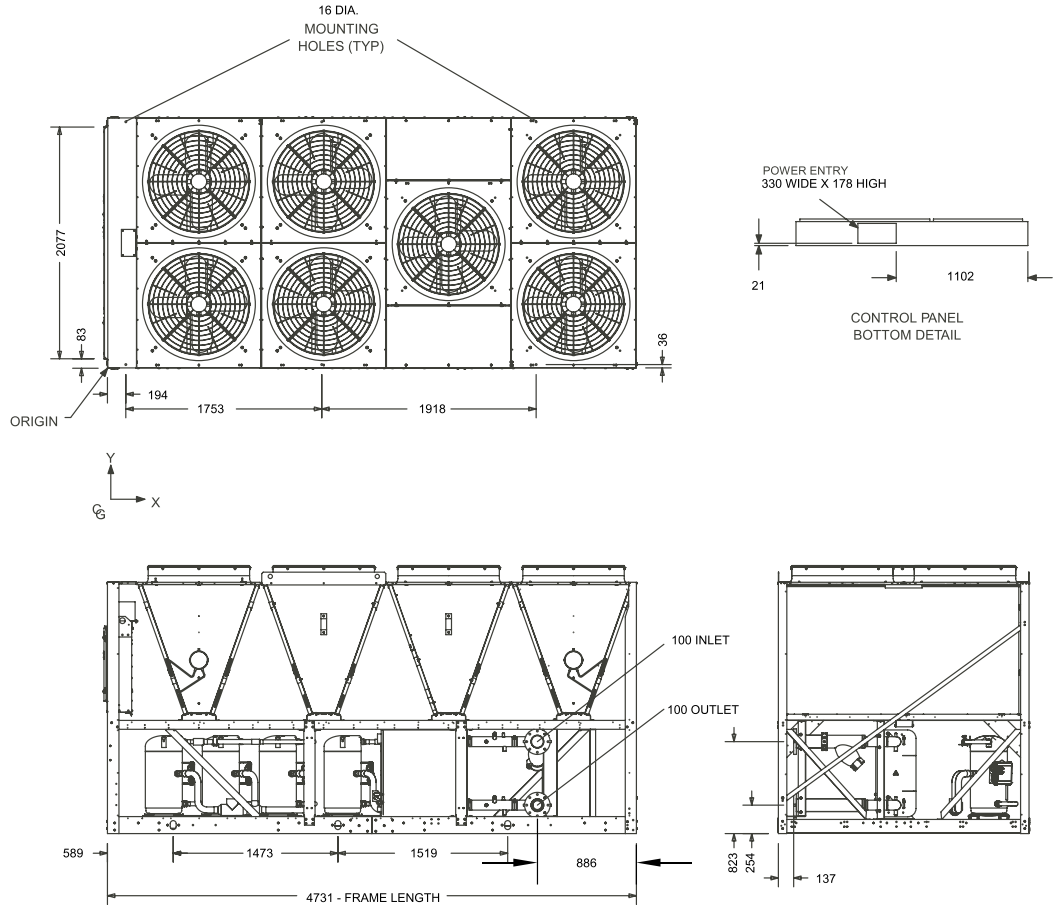
LD18448

**NOTE:**

Placement on a level surface of free of obstructions (including snow, for winter operation) or air circulation ensures rated performance, reliable operation, and ease of maintenance. Site restrictions may compromise minimum clearances indicated below, resulting in unpredictable airflow patterns and possible diminished performance. Johnson Controls's unit controls will optimize operation without nuisance high-pressure safety cutouts; however, the system designer must consider potential performance degradation. Access to the unit control center assumes the unit is no higher than on spring isolators. Recommended minimum clearances: Side to wall – 2m (6'); rear to wall – 2m (6'); control panel to end wall – 1.2m (4'0"); top – no obstructions allowed; distance between adjacent units – 10'. No more than one adjacent wall may be higher than the unit.

# Unit Dimensions (Cont'd)

## YLAA0441HE



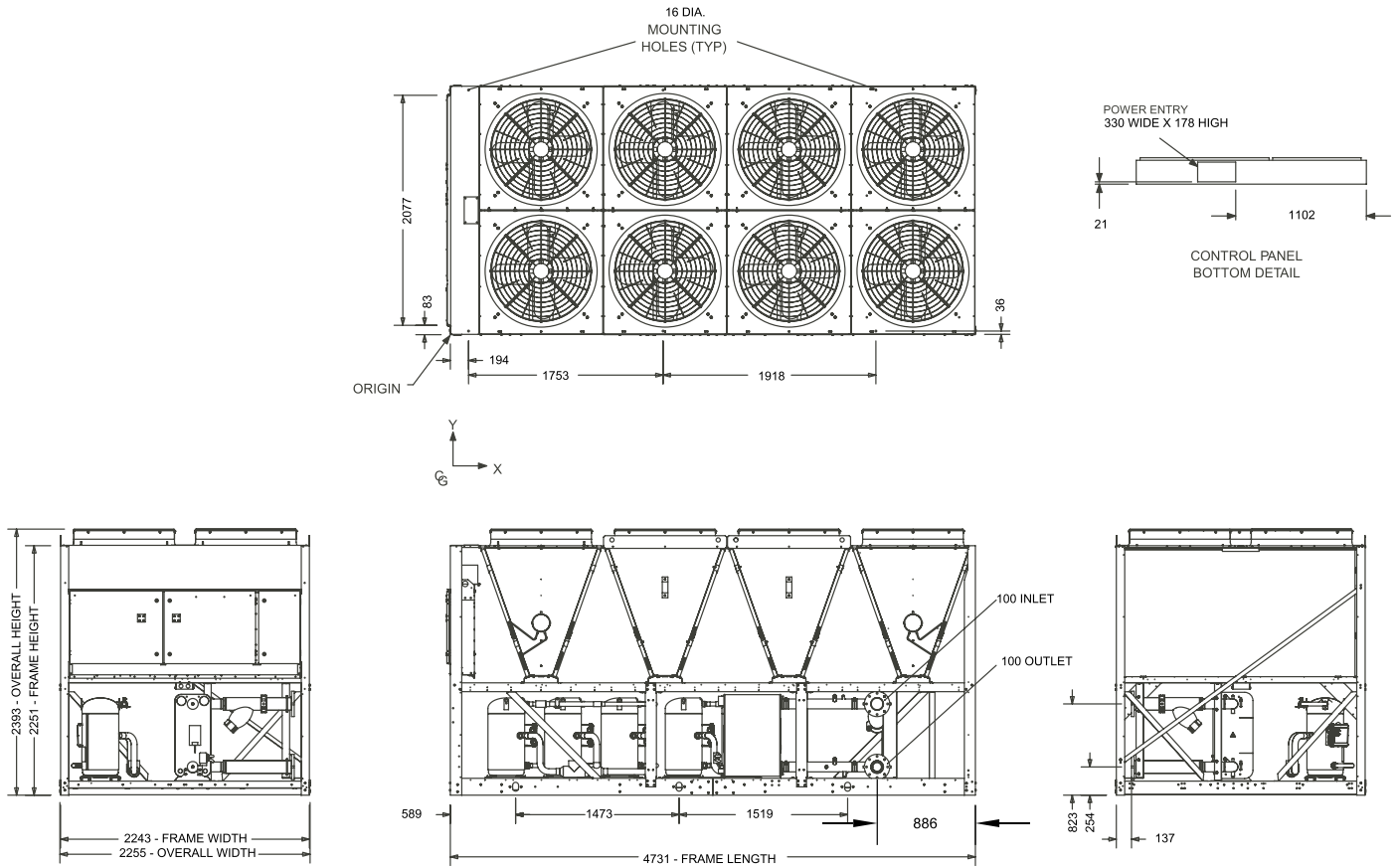
LD18449

**NOTE:**

Placement on a level surface of free of obstructions (including snow, for winter operation) or air circulation ensures rated performance, reliable operation, and ease of maintenance. Site restrictions may compromise minimum clearances indicated below, resulting in unpredictable airflow patterns and possible diminished performance. Johnson Controls's unit controls will optimize operation without nuisance high-pressure safety cutouts; however, the system designer must consider potential performance degradation. Access to the unit control center assumes the unit is no higher than on spring isolators. Recommended minimum clearances: Side to wall – 2m (6'); rear to wall – 2m (6'); control panel to end wall – 1.2m (4'0"); top – no obstructions allowed; distance between adjacent units – 10'. No more than one adjacent wall may be higher than the unit.

# Unit Dimensions (Cont'd)

## YLAA0456HE AND YLAA0516HE



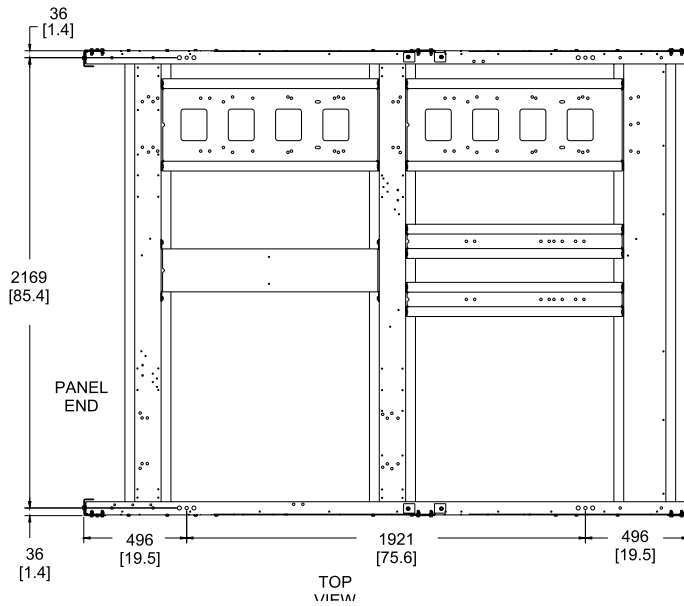
LD18450

**NOTE:**

Placement on a level surface of free of obstructions (including snow, for winter operation) or air circulation ensures rated performance, reliable operation, and ease of maintenance. Site restrictions may compromise minimum clearances indicated below, resulting in unpredictable airflow patterns and possible diminished performance. Johnson Controls's unit controls will optimize operation without nuisance high-pressure safety cutouts; however, the system designer must consider potential performance degradation. Access to the unit control center assumes the unit is no higher than on spring isolators. Recommended minimum clearances: Side to wall – 2m (6'); rear to wall – 2m (6'); control panel to end wall – 1.2m (4'0"); top – no obstructions allowed; distance between adjacent units – 10'. No more than one adjacent wall may be higher than the unit.

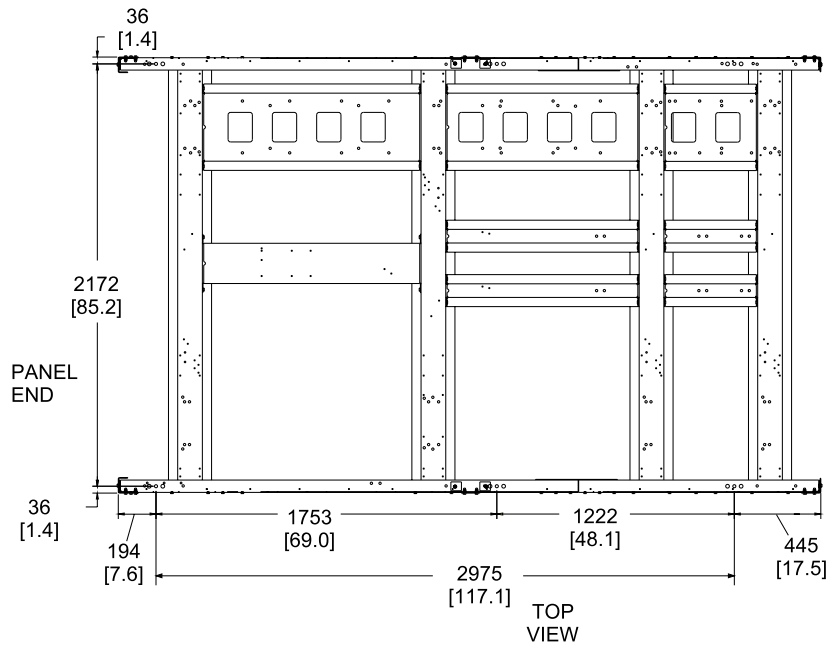
# Isolator Locations

## FOUR FAN ISOLATOR LOCATIONS



LD18451

## FIVE AND SIX FAN ISOLATOR LOCATIONS

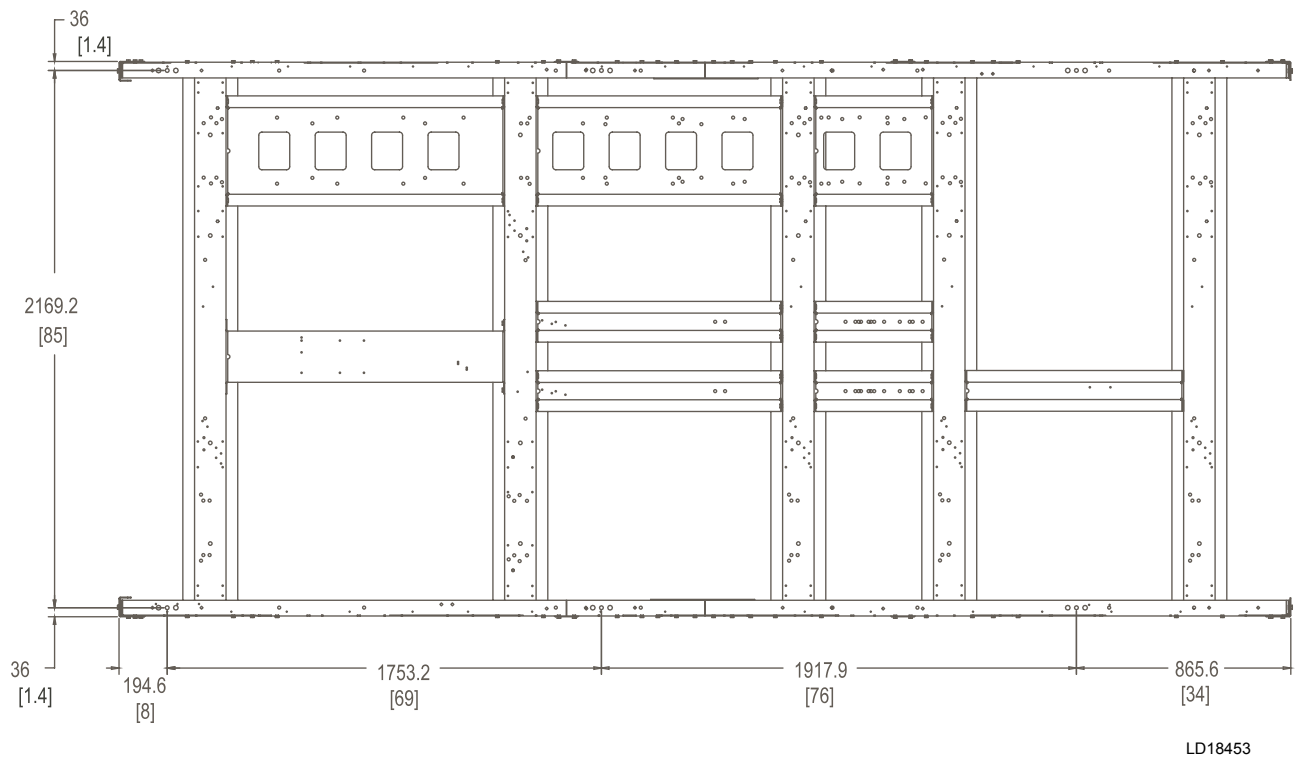


LD18452

All dimensions are millimeters [inches] unless otherwise specified.

# Isolator Locations (Cont'd)

## SEVEN AND EIGHT FAN ISOLATOR LOCATIONS



All dimensions are millimeters [inches] unless otherwise specified.

# Electrical Notes

## NOTES:

1. Minimum Circuit Ampacity (MCA) is based on 125% of the rated load amps for the largest motor plus 100% of the rated load amps for all other loads included in the circuit, per N.E.C. Article 430-24. If the optional Factory Mounted Control Transformer is provided, add the following MCA values to the electrical tables for the system providing power to the transformer: -50 = 380/415-3-50, add 1 amps.
2. The minimum recommended disconnect switch is based on 115% of the rated load amps for all loads included in the circuit, per N.E.C. Article 440.
3. Minimum fuse size is based upon 150% of the rated load amps for the largest motor plus 100% of the rated load amps for all other loads included in the circuit to avoid nuisance trips at start-up due to lock rotor amps. It is not recommended in applications where brown outs, frequent starting and stopping of the unit, and/or operation at ambient temperatures in excess of 35°C (95°F) is anticipated.
4. Maximum fuse size is based upon 225% of the rated load amps for the largest motor plus 100% of the rated load amps for all other loads included in the circuit, per N.E.C. Article 440-22.
5. Circuit breakers must be UL listed and CSA certified and maximum size is based on 225% of the rated load amps for the largest motor plus 100% of the rated load amps for all other loads included in the circuit. Otherwise, HACR-type circuit breakers must be used. Maximum HACR circuit breaker rating is based on 225% of the rated load amps for the largest motor plus 100% of the rated load amps for all other loads included in the circuit.
6. The "INCOMING WIRE RANGE" is the minimum and maximum wire size that can be accommodated by the unit wiring lugs. The (2) preceding the wire range indicates the number of termination points available per phase of the wire range specified. Actual wire size and number of wires per phase must be determined based on the National Electrical Code, using copper connectors only. Field wiring must also comply with local codes.
7. A ground lug is provided for each compressor system to accommodate a field grounding conductor per N.E.C. Table 250-95. A control circuit grounding lug is also supplied.
8. The supplied disconnect is a "Disconnecting Means" as defined in the N.E.C. 100, and is intended for isolating the unit for the available power supply to perform maintenance and troubleshooting. This disconnect is not intended to be a Load Break Device.
9. Field Wiring by others which complies to the National Electrical Code & Local Codes.



## Electrical Notes (Cont'd)

### LEGEND

ACR-LINE	ACROSS THE LINE START
C.B.	CIRCUIT BREAKER
D.E.	DUAL ELEMENT FUSE
DISC SW	DISCONNECT SWITCH
FACT MOUNT CB	FACTORY MOUNTED CIRCUIT BREAKER
FLA	FULL LOAD AMPS
HZ	HERTZ
MAX	MAXIMUM
MCA	MINIMUM CIRCUIT AMPACITY
MIN	MINIMUM
MIN NF	MINIMUM NON FUSED
RLA	RATED LOAD AMPS
S.P. WIRE	SINGLE POINT WIRING
UNIT MTD SERV SW	UNIT MOUNTED SERVICE (NON-FUSED DISCONNECT SWITCH)
LRA	LOCKED ROTOR AMPS

### VOLTAGE CODE

-50 = 380/415-3-50

# Wiring Lugs

MODEL YLAA	VOLT	HZ	LUGS		
			ETL TB 1XX	ETL NFDS 2XX	ETL CB 3XX
0180SE	400	50	(1) #6 - 500 kCMIL	(2) #3/0 AWG - 250 kCMIL	(1) #6 AWG - 350 kCMIL
0210SE	400	50	(1) #6 - 500 kCMIL	(2) #3/0 AWG - 250 kCMIL	(2) #3/0 AWG - 250 kCMIL
0241SE	400	50	(1) #6 - 500 kCMIL	(2) #3/0 AWG - 250 kCMIL	(2) #3/0 AWG - 250 kCMIL
0286SE	400	50	(1) #6 - 500 kCMIL	(2) #3/0 AWG - 250 kCMIL	(2) #3/0 AWG - 250 kCMIL
0320SE	400	50	(1) #6 - 500 kCMIL	(2) #3/0 AWG - 250 kCMIL	(2) #3/0 AWG - 250 kCMIL
0360SE	400	50	(1) #6 - 500 kCMIL	(2) #3/0 AWG - 250 kCMIL	(2) #3/0 AWG - 250 kCMIL
0400SE	400	50	(1) #6 - 500 kCMIL	(2) #3/0 AWG - 250 kCMIL	(2) #3/0 AWG - 250 kCMIL
0435SE	400	50	(2) #6 - 500 kCMIL	(2) #3/0 AWG - 250 kCMIL	(2) #3/0 AWG - 250 kCMIL
0485SE	400	50	(2) #6 - 500 kCMIL	(2) 250 - 500 kCMIL	(2) #3/0 AWG - 250 kCMIL
0195HE	400	50	(1) #6 - 500 kCMIL	(1) #6 AWG - 350 kCMIL	(1) #6 AWG - 350 kCMIL
0221HE	400	50	(1) #6 - 500 kCMIL	(1) #6 AWG - 350 kCMIL	(1) #6 AWG - 350 kCMIL
0261HE	400	50	(1) #6 - 500 kCMIL	(2) #3/0 AWG - 250 kCMIL	(1) #6 AWG - 350 kCMIL
0300HE	400	50	(1) #6 - 500 kCMIL	(2) #3/0 AWG - 250 kCMIL	(1) #6 AWG - 350 kCMIL
0350HE	400	50	(1) #6 - 500 kCMIL	(2) #3/0 AWG - 250 kCMIL	(2) #3/0 AWG - 250 kCMIL
0390HE	400	50	(1) #6 - 500 kCMIL	(2) #3/0 AWG - 250 kCMIL	(2) #3/0 AWG - 250 kCMIL
0441HE	400	50	(2) #6 - 500 kCMIL	(2) #3/0 AWG - 250 kCMIL	(2) #3/0 AWG - 250 kCMIL
0456HE	400	50	(2) #6 - 500 kCMIL	(2) 250 - 500 kCMIL	(2) #3/0 AWG - 250 kCMIL
0516HE	400	50	(2) #6 - 500 kCMIL	(2) 250 - 500 kCMIL	(2) #3/0 AWG - 250 kCMIL

## Wiring Lugs (Cont'd)

MODEL YLAA	VOLT	HZ	LUGS		
			ETL NFDS W/ INDIVIDUAL SYSTEM CBS 4XX	CE NFDS W/ MMS	CE NFDS W/ MMS & SS
0180SE	400	50	(2) #3/0 AWG - 250 kCMIL	(2) #3/0 AWG - 250 kCMIL	N/A
0210SE	400	50	(2) #3/0 AWG - 250 kCMIL	(2) #3/0 AWG - 250 kCMIL	N/A
0241SE	400	50	(2) #3/0 AWG - 250 kCMIL	(2) #3/0 AWG - 250 kCMIL	N/A
0286SE	400	50	(2) #3/0 AWG - 250 kCMIL	(2) #3/0 AWG - 250 kCMIL	(2) #3/0 AWG - 250 kCMIL
0320SE	400	50	(2) #3/0 AWG - 250 kCMIL	(2) #3/0 AWG - 250 kCMIL	(2) #3/0 AWG - 250 kCMIL
0360SE	400	50	(2) #3/0 AWG - 250 kCMIL	(2) #3/0 AWG - 250 kCMIL	(2) #3/0 AWG - 250 kCMIL
0400SE	400	50	(2) #3/0 AWG - 250 kCMIL	(2) #3/0 AWG - 250 kCMIL	(2) #3/0 AWG - 250 kCMIL
0435SE	400	50	(2) #3/0 AWG - 250 kCMIL	(2) #3/0 AWG - 250 kCMIL	(2) #3/0 AWG - 250 kCMIL
0485SE	400	50	(2) 250 - 500 kCMIL	(2) 250 - 500 kCMIL	(2) 250 - 500 kCMIL
0195HE	400	50	(1) #6 AWG - 350 kCMIL	(1) #6 AWG - 350 kCMIL	(1) #6 AWG - 350 kCMIL
0221HE	400	50	(1) #6 AWG - 350 kCMIL	(1) #6 AWG - 350 kCMIL	(1) #6 AWG - 350 kCMIL
0261HE	400	50	(1) #6 AWG - 350 kCMIL	(1) #6 AWG - 350 kCMIL	(1) #6 AWG - 350 kCMIL
0300HE	400	50	(2) #3/0 AWG - 250 kCMIL	(2) #3/0 AWG - 250 kCMIL	(2) #3/0 AWG - 250 kCMIL
0350HE	400	50	(1) 250 - 500 kCMIL & (2) #3/0 AWG - 250 kCMIL	(2) #3/0 AWG - 250 kCMIL	(2) #3/0 AWG - 250 kCMIL
0390HE	400	50	(2) #3/0 AWG - 250 kCMIL	(2) #3/0 AWG - 250 kCMIL	(2) #3/0 AWG - 250 kCMIL
0441HE	400	50	(2) #3/0 AWG - 250 kCMIL	N/A	(2) #3/0 AWG - 250 kCMIL
0456HE	400	50	(2) 250 - 500 kCMIL	N/A	(2) 250 - 500 kCMIL
0516HE	400	50	(2) 250 - 500 kCMIL	N/A	(2) 250 - 500 kCMIL

# Electrical Data w/o Pumps

MODEL YLAA	VOLT	HZ	MCA (DOES NOT INCLUDE XFR AMPS)	MIN N/F DISC SW	MIN DUAL ELEM FUSE & MIN CB	MAX DUAL ELEM FUSE MAX CB	SYSTEM # 1								
							COMPR 1		COMPR 2		COMPR 3		STD FLOW FANS		
							RLA	LRA	RLA	LRA	RLA	LRA	QTY	FLA	LRA
0180SE	400	50	136	150	150	150	25.0	198	25.0	198	25.0	198	2	4.0	19.0
0195HE	400	50	136	150	150	150	25.0	198	25.0	198	25.0	198	2	4.0	19.0
0210SE	400	50	177	200	200	225	54.5	198	54.5	310			2	4.0	19.0
0221HE	400	50	128	150	150	150	25.0	198	25.0	198	25.0	198	2	4.0	19.0
0241SE	400	50	184	250	200	200	25.0	198	25.0	198	25.0	198	2	4.0	19.0
0261HE	400	50	184	250	200	200	25.0	198	25.0	198	25.0	198	2	4.0	19.0
0286SE	400	50	216	250	250	250	25.0	198	25.0	198	25.0	198	2	4.0	19.0
0300HE	400	50	222	250	250	250	25.0	310	54.5	310			3	4.0	19.0
0320SE	400	50	248	400	300	300	54.5	310	54.5	310			2	4.0	19.0
0350HE	400	50	256	400	300	300	54.5	310	54.5	310			3	4.0	19.0
0360SE	400	50	272	400	300	300	54.5	310	54.5	310	54.5	310	3	4.0	19.0
0390HE	400	50	281	400	300	300	54.5	310	54.5	310	54.5	310	4	4.0	19.0
0400SE	400	50	306	400	350	350	54.5	310	54.5	310	54.5	310	3	4.0	19.0
0435SE	400	50	327	400	350	350	54.5	310	54.5	310	54.5	310	3	4.0	19.0
0485SE	400	50	365	600	400	400	54.5	310	54.5	310	54.5	310	3	4.0	19.0
0441HE	400	50	314	400	350	350	54.5	310	54.5	310	54.5	310	4	4.0	19.0
0456HE	400	50	335	400	350	350	54.5	310	54.5	310	54.5	310	4	4.0	19.0
0516HE	400	50	378	600	400	400	54.5	310	54.5	310	54.5	310	4	4.0	19.0

## NOTES:

1. Reference PIN 59 for pump models.
2. Use this table along with Pump Electrical Data to determine electrical data of the unit plus the pump.
3. Does not include the Control Transformer.

PUMP ELECTRICAL DATA				
PUMP MODEL	HP	RPM	400V-3-50HZ	
			FLA	LRA
A, G, L	10	3600	13.7	85.8
B, H, N	15	3600	19.7	132.0
C	3.0	3600	4.4	31.4
D, I	N/A	3600	N/A	N/A
E, J	5.0	3600	6.8	47.6
F, K	7.5	3600	10.2	131.0
M	3	1800	4.5	31.4
O	20	3600	27.2	162.4
P	N/A	1800	N/A	N/A

## Electrical Data w/o Pumps (Cont'd)

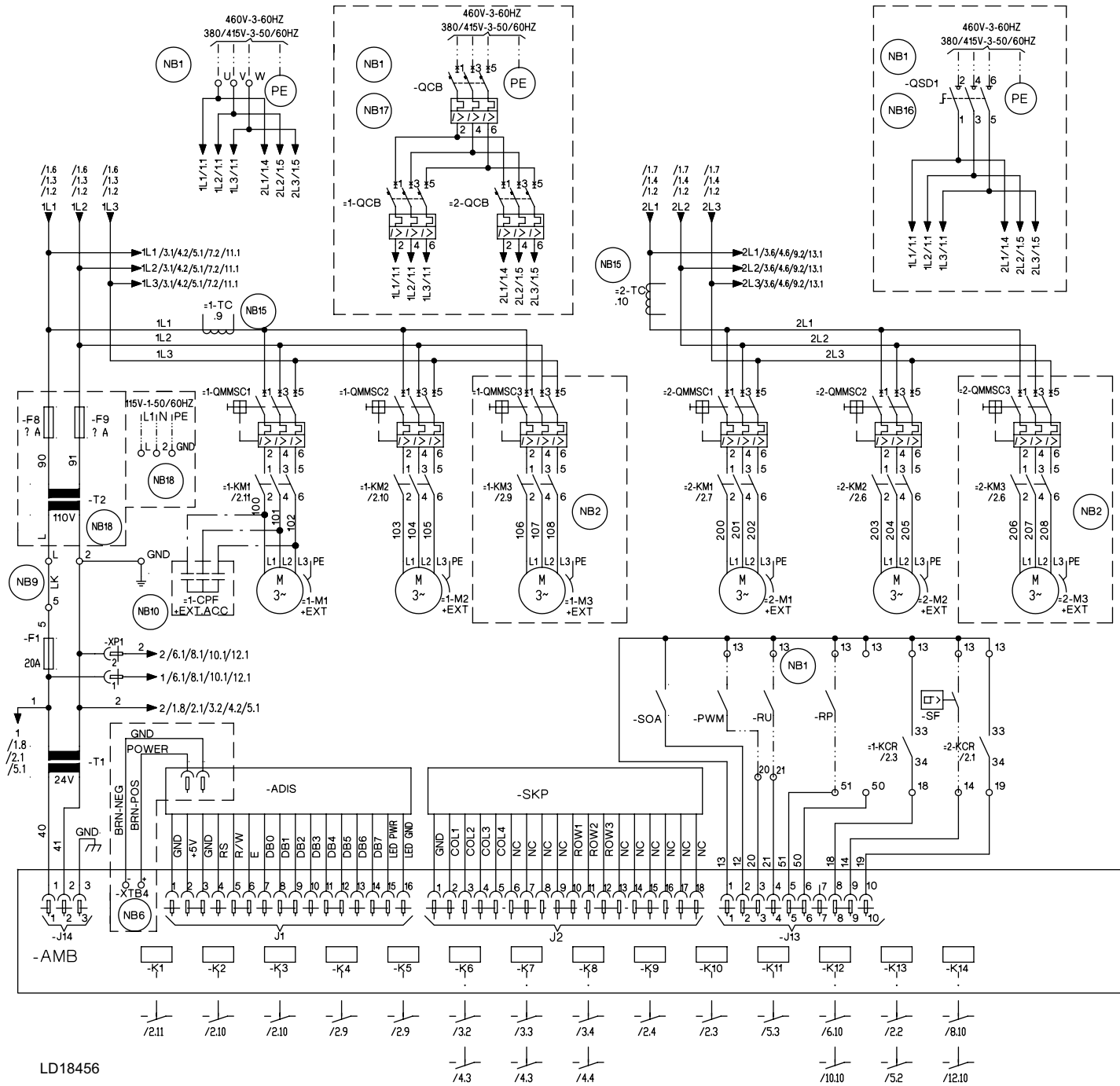
MODEL YLAA	VOLT	HZ	SYSTEM # 2								
			COMPR 1		COMPR 2		COMPR 3		STD FLOW FANS		
			RLA	LRA	RLA	LRA	RLA	LRA	QTY	FLA	LRA
0180SE	400	50	21.8	140	21.8	140			2	1.4	3.4
0195HE	400	50	21.8	140	21.8	140			2	1.4	3.4
0210SE	400	50	21.8	140	21.8	140			2	1.4	3.4
0221HE	400	50	25.0	198	25.0	198			2	4.0	19.0
0241SE	400	50	25.0	198	25.0	198	25.0	198	2	4.0	19.0
0261HE	400	50	25.0	198	25.0	198	25.0	198	2	4.0	19.0
0286SE	400	50	54.5	310	54.5	310			2	4.0	19.0
0300HE	400	50	54.5	310	25.0	198			2	4.0	19.0
0320SE	400	50	54.5	310	54.5	310			2	4.0	19.0
0350HE	400	50	54.5	310	54.5	310			3	4.0	19.0
0360SE	400	50	25.0	198	25.0	198	25.0	198	2	4.0	19.0
0390HE	400	50	54.5	310	25.0	198			2	4.0	19.0
0400SE	400	50	54.5	310	54.5	310			2	4.0	19.0
0435SE	400	50	41.9	272	41.9	272	41.9	272	3	4.0	19.0
0485SE	400	50	54.5	310	54.5	310	54.5	310	3	4.0	19.0
0441HE	400	50	54.5	310	54.5	310			3	4.0	19.0
0456HE	400	50	41.9	272	41.9	272	41.9	272	4	4.0	19.0
0516HE	400	50	54.5	310	54.5	310	54.5	310	4	4.0	19.0

### NOTES:

1. Reference PIN 59 for pump models.
2. Use this table along with Pump Electrical Data to determine electrical data of the unit plus the pump.
3. Does not include the Control Transformer.

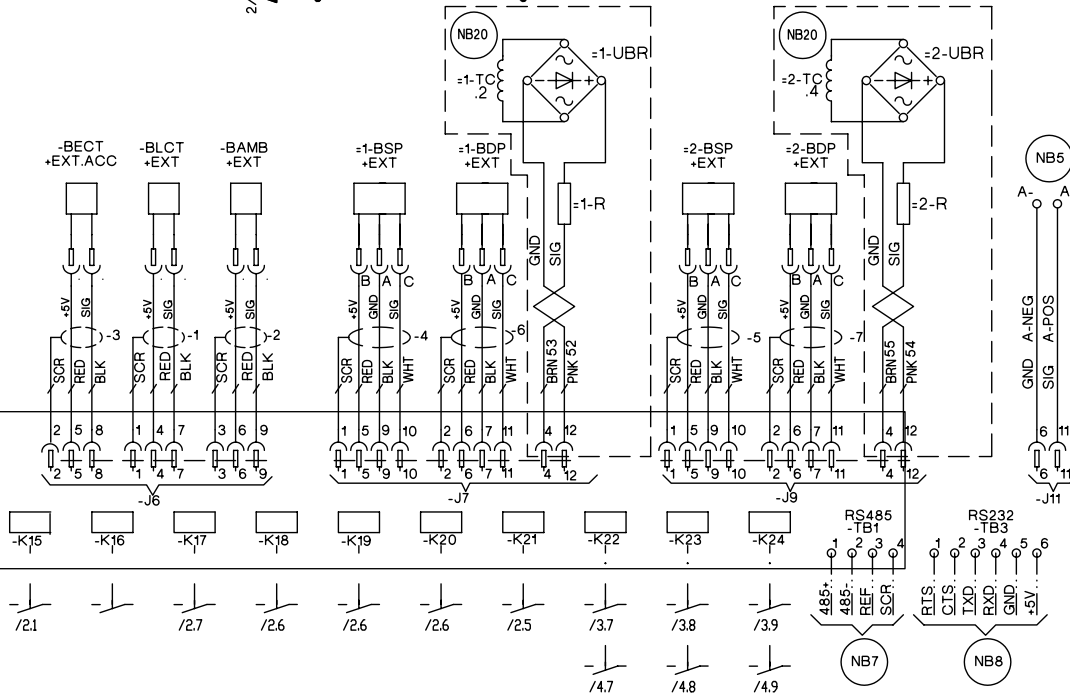
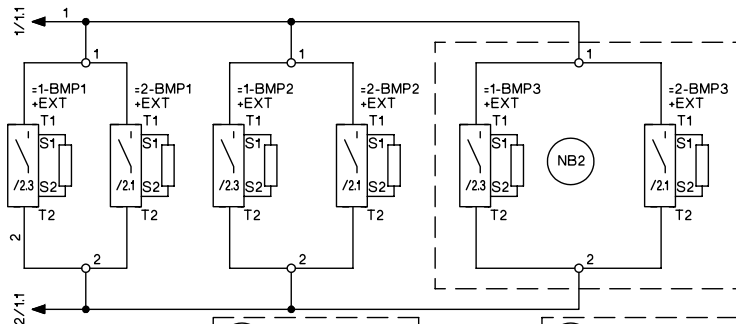
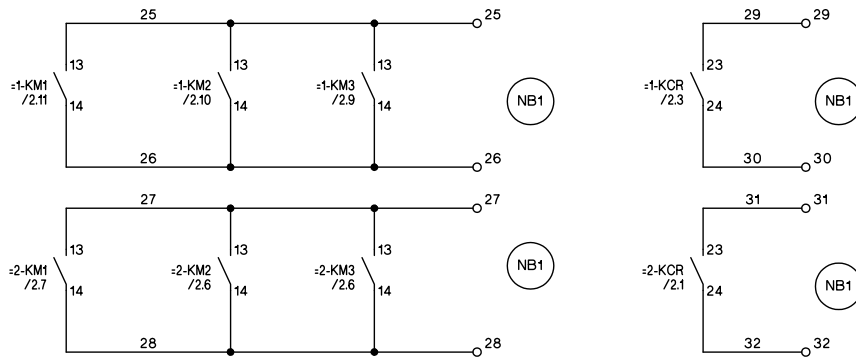
CONTROL TRANSFORMER LOAD		
VOLT	KVA	
	2	3
400	5.0	7.5

# Wiring Diagram



LD18456

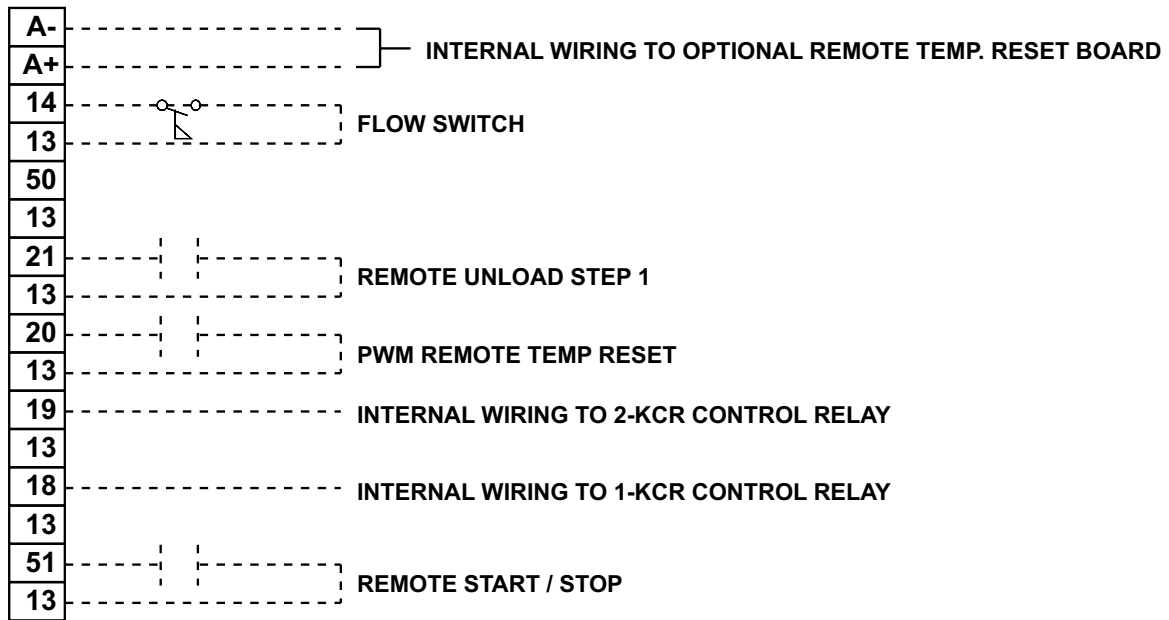
# Wiring Diagram (Cont'd)



LD18457

# User Control Wiring

## USER CONTROL WIRING INPUTS



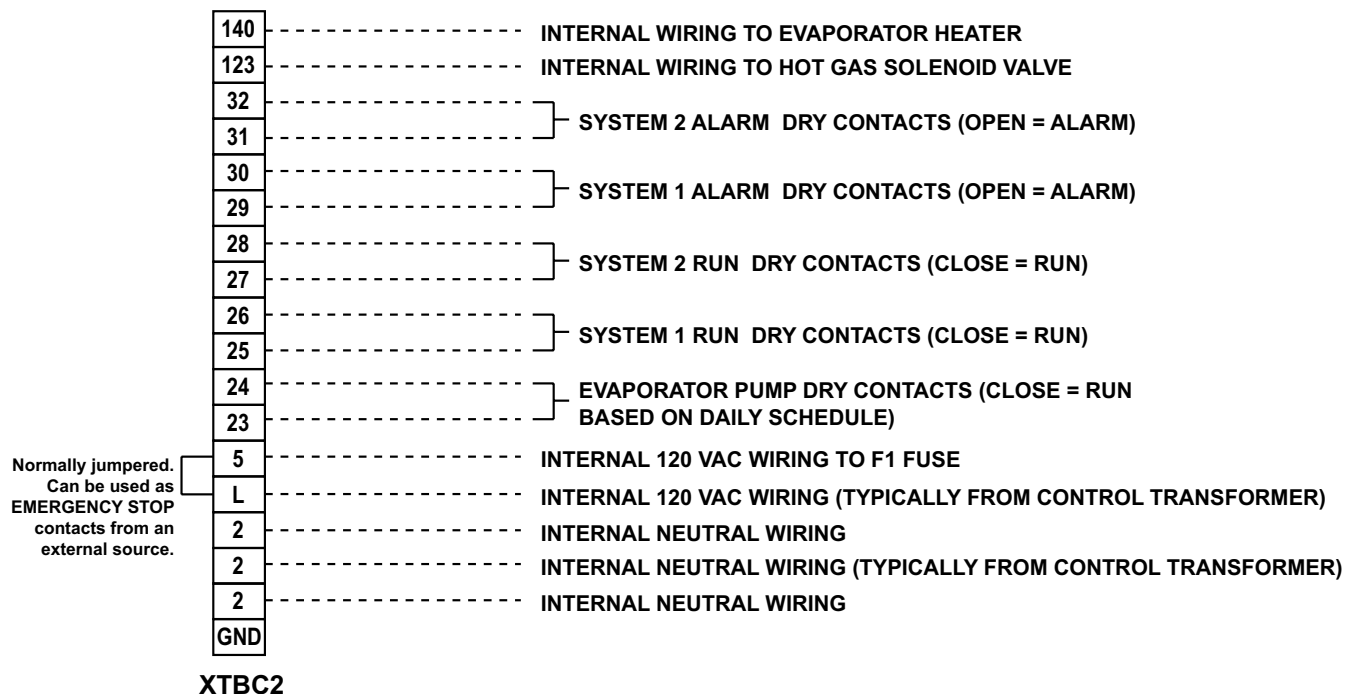
XTBC1

LD13130



# User Control Wiring (Cont'd)

## USER CONTROL WIRING OUTPUTS



LD13242

# Notes

Designation	DESCRIPTION
ACC	ACCESSORY
- ADIS	DISPLAY BOARD
- AMB	MICRO BOARD

- BAMB	AMBIENT
- BDP	DISCHARGE PRESSURE
- BECT	ENTERING CHILLED TEMPERATURE
- BLCT	LEAVING CHILLED TEMPERATURE
	NOT FITTED ON REMOTE EVAP UNITS

-BMP	MOTOR PROTECTOR COMPRESSOR
- BSP	SUCTION PRESSURE

-CPF	CAPACITOR POWER FACTOR
------	------------------------

- ECH	CRANKCASE HEATER
-EEH	EVAPORATOR HEATER
-EPH	PUMP HEATER
-EXT	EXTERNAL TO CONTROL PANEL

- F	FUSE
- FHP	HIGH PRESSURE CUTOUT
-FSI	FAN SPEED INHIBIT TWO SPEED FAN OPTION ONLY

GND	GROUND
G/Y	GREEN / YELLOW

J	PLUG BOARD CONNECTOR
---	----------------------

-K	CIRCUIT BOARD RELAY
-KF	FAN CONTACTOR LINE
-KFH	FAN CONTACTOR HIGH SPEED (INCLUDING COIL SUPPRESSOR)
-KFL	FAN CONTACTOR LOW SPEED (INCLUDING COIL SUPPRESSOR)
-KFOL	FAN OVERLOAD
-KFS	RELAY FAN SPEED
-KM	COMPRESSOR CONTACTOR (INCLUDING COIL SUPPRESSOR)
-KCR	CONTROL RELAY
-KP	PUMP CONTACTOR PART (INCLUDING COIL SUPPRESSOR)

- M	COMPRESSOR MOTOR
-MF	MOTOR FAN
-MP	MOTOR PUMP

NU	NOT USED
----	----------

PE	PROTECTIVE EARTH
PWM	PULSE WIDTH MODULATION TEMP RESET or REMOTE UNLOAD 2nd STEP

Designation	DESCRIPTION
-QCB	CIRCUIT BREAKER
-QMMSC	MANUAL MOTOR STARTER COMPRESSOR
-QMMSP	MANUAL MOTOR STARTER PUMP
-QSD	SWITCH DISCONNECT

R	RESISTOR
RED	RED
RP	RUN PERMISSIVE
RU	REMOTE UNLOAD 1st STEP

SCR	SCREEN
- SF	FLOW SWITCH
- SKP	KEYPAD
- SOA	SWITCH OFF AUTO

- T	TRANSFORMER
-TC	TRANSFORMER CURRENT


-UBR	BRIDGE RECTIFIER
------	------------------

WHT	WHITE
-----	-------

- XTBC	TERMINAL BLOCK CUSTOMER
- XTBF	TERMINAL BLOCK FACTORY

-YHGSV	HOT GAS SOLENOID VALVE (INCLUDING COIL SUPPRESSOR)
- YLLSV	LIQUID LINE SOLENOID VALVE (INCLUDING COIL SUPPRESSOR)
	FIELD MOUNTED AND WIRED ON REMOTE EVAP UNITS

- ZCPR	COMPRESSOR
--------	------------

	NOTE WELL {SEE NOTE}
---	----------------------

- - - - -	WIRING AND ITEMS SHOWN THUS ARE STANDARD YORK ACCESSORIES
-----------	--

- · - · - · - · -	WIRING AND ITEMS SHOWN THUS ARE NOT SUPPLIED BY YORK
-------------------	---

- - - - -	ITEMS THUS ENCLOSED FORM A COMPONENTS OR SETS OF COMPONENTS
-----------	--

## Notes (Cont'd)

GENERAL	
A.	THIS DRAWING IS BASED ON IEC SYMBOLS.
B.	FIELD WIRING TO BE IN ACCORDANCE WITH THE RELEVANT ELECTRICAL CODE AS WELL AS ALL OTHER APPLICABLE CODES AND SPECIFICATIONS
C.	ALL SOURCES OF SUPPLY SHOWN ON THIS DIAGRAM TO BE TAKEN FROM ONE MAIN ISOLATOR, NOT SHOWN OR SUPPLIED BY YORK.
D.	GREEN AND YELLOW WIRE IS USED FOR EARTH, MULTI-COLOURED CABLE USED FOR LOW VOLTAGE. RED WIRE USED FOR A.C. CONTROL, BLUE WIRE FOR NEUTRAL, BLACK WIRE FOR A.C. AND D.C. POWER. ORANGE WIRE SHOULD BE USED FOR INTERLOCK CONTROL WIRING SUPPLIED BY EXTERNAL SOURCE.
E.	LEGEND DESIGNATION DEPICTS COMPONENT ABBREVIATIONS. NUMBER PREFIX LOCATED, IF APPLICABLE, ON SCHEMATIC CIRCUIT, REFERS TO SYSTEM THEREON, E.G.= 1-FHP2 REFERS TO HIGH PRESSURE CUTOFF NO 2 ON SYSTEM NO 1.
F.	ALL WIRING TO CONTROL SECTION VOLTAGE FREE CONTACTS REQUIRES A SUPPLY PROVIDED BY THE CUSTOMER MAXIMUM VOLTAGE 240 VOLTS. THE CUSTOMER MUST TAKE PARTICULAR CARE WHEN DERIVING THE SUPPLIES FOR THE VOLTAGE FREE TERMINALS WITH REGARD TO A COMMON POINT OF ISOLATION. THUS, THESE CIRCUITS WHEN USED MUST BE FED VIA THE COMMON POINT OF ISOLATION THE VOLTAGE TO THESE CIRCUITS IS REMOVED WHEN THE COMMON POINT OF ISOLATION TO THE UNIT IS OPENED. THIS COMMON POINT OF ISOLATION IS NOT SUPPLIED BY YORK. THE YORK VOLTAGE FREE CONTACTS ARE RATED AT 100VA. ALL INDUCTIVE DEVICES (RELAYS) SWITCH BY THE YORK VOLTAGE FREE CONTACTS MUST HAVE THEIR COIL SUPPRESSED USING STANDARD R/C SUPPRESSORS.
G.	CUSTOMER VOLTAGE FREE CONTACTS CONNECTED TO TERMINAL 13 MUST BE RATED AT 30V 5ma
H.	NO CONTROLS (RELAYS ETC.) SHOULD BE MOUNTED IN ANY SECTION OF THE CONTROL PANEL. ADDITIONALLY, CONTROL WIRING NOT CONNECTED TO THE YORK CONTROL PANEL SHOULD NOT BE RUN THROUGH THE PANEL. IF THESE PRECAUTIONS ARE NOT FOLLOWED, ELECTRICAL NOISE COULD CAUSE MALFUNCTIONS OR DAMAGE TO THE UNIT AND ITS CONTROLS.
NOTES	
1	REFER TO INSTALATION COMMISIONING OPERATION AND MAINTENANCE MANUAL FOR CUSTOMER CONNECTIONS AND CUSTOMER CONNECTION NOTES, NON COMPLIANCE TO THESE INSTRUCTIONS WILL INVALIDATE UNIT WARRANTY.
2	WIRING AND COMPONENTS FOR COMPRESSOR 3 ONLY FITTED WHEN UNIT HAS 3 COMPRESSORS ON THE SYSTEM. 1-BMP3 IS REPLACED BY A LINK ACROSS TERMINALS 134 & 135. 2-BMP3 IS REPLACED BY A LINK ACROSS TERMINALS 234 & 235.
3	FHP2 IS ONLY FITTED ON CE YLAA ??? AND ABOVE. WHEN NOT FITTED 1-FHP2 IS REPLACED BY A LINK ACROSS TERMINALS 132 & 139. 2-FHP2 IS REPLACED BY A LINK ACROSS TERMINALS 232 & 239
4	FITTED ON UNITS WITH HOT GAS BYPASS OPTION.
5	EMS OPTION IS WIRED AS SHOWN
6	THIS WIRING MUST BE USED FOR OLD DISPLAY 031-0110-000
7	NETWORK CONNECTION POINT
8	PRINTER PORT
9	REMOTE EMERGENCY STOP CAN BE WIRED BETWEEN TERMINAL L AND 5 AFTER REMOVING LINK
10	POWER FACTOR CORRECTION ACCESSORY. POWER FACTOR CORRECTION FITTED TO EACH COMPRESSOR CONTACTOR
11	NOT FITTED ON COMPRESSORS WITH INTERNAL MOTOR PROTECTION. FOR SYTEM 1 TERMINALS 132 & 133, 133 & 134 AND 134 & 135 ARE LINKED. FOR SYTEM 2 TERMINALS 232 & 233, 233 & 234 AND 234 & 235 ARE LINKED.
12	ONLY FITTED ON SYSTEMS WITH 3 OR 4 FANS
13	ONLY FITTED ON SYSTEMS WITH 4 FANS
14	ONLY FITTED ON SYSTEMS WITH 5 FANS
15	ONLY FITTED ON SYSTEMS WITH 6 FANS
16	INPUT SWITCH DISCONNECT (STANDARD ON CE UNITS) OR CIRCUIT BREAKER OPTION REPLACES INPUT TERMINAL BLOCK
17	INPUT SWITCH DISCONNECT & SYSTEM CIRCUIT BREAKER OPTION REPLACES INPUT TERMINAL BLOCK
18	115V CONTROL CIRCUIT REQUIRES A 115V SUPPLY UNLESS CONTROL CIRCUIT TRANSFORMER -T2 & -F3 ARE FITTED (STANDARD ON CE UNITS)
19	FOR OPTIONAL HYDRO KIT. HEATER -EPH IS FITTED AND WIRED AS SHOWN. ON SINLGE PUMP -KP1, -QMMSP1 & -MP1 ARE FITTED & WIRED AS SHOWN. ON TWO PUMP HYDRO KITS -KP2, -QMMSP2 & -MP2 ARE ALSO FITTED AND WIRED AS SHOWN.
20	CURRENT MEASUREMENT OPTION WIRED AS SHOW
21	ONLY FITTED ON SYSTEMS WITH SINGLE SPEED FANS
22	ONLY FITTED ON SYSTEMS WITH TWO SPEED FANS
23	OPTIONAL COMPRESSOR MANUAL MOTORS STARTERS (STANDARD ON CE UNITS)
24	SEE SHEET 3 OF CONNECTION DIAGRAM FOR POWER INPUT OPTIONS

# Application Data

## UNIT LOCATION

The YLAA chillers are designed for outdoor installation. When selecting a site for installation, be guided by the following conditions:

1. For outdoor locations of the unit, select a place having an adequate supply of fresh air for the condenser.
2. Avoid locations beneath windows or between structures where normal operating sounds may be objectionable.
3. Installation sites may be either on a roof, or at ground level. (See FOUNDATION.)
4. The condenser fans are the propeller-type, and are not recommended for use with duct work in the condenser air stream.
5. When it is desirable to surround the unit(s), it is recommended that the screening be able to pass the required chiller CFM without exceeding 0.1" of water external static pressure.
6. Protection against corrosive environments is available by supplying the units with either copper fin, cured phenolic, or epoxy coating on the condenser coils. The epoxy coils should be offered with any units being installed at the seashore or where salt spray may hit the unit.

In installations where winter operation is intended and snow accumulations are expected, additional height must be provided to ensure normal condenser air flow.

Recommended clearances for units are given in Dimensions. When the available space is less, the unit(s) must be equipped with the discharge pressure transducer option to permit high pressure unloading in the event that air recirculation were to occur.

## FOUNDATION

The unit should be mounted on a flat and level foundation, ground or roof, capable of supporting the entire operating weight of the equipment. Operating weights are given in the PHYSICAL DATA tables.

**Roof Locations** – Choose a spot with adequate structural strength to safely support the entire weight of the unit and service personnel. Care must be taken not to damage the roof during installation. If the roof is “bonded”, consult the building contractor or architect for special installation requirements. Roof installations should incorporate the use of spring-type isolators to minimize the transmission of vibration into the building structure.

**Ground Level Installations** – It is important that the units be installed on a substantial base that will not settle, causing strain on the liquid lines and resulting in possible leaks. A one-piece concrete slab with footers extending below the frost line is highly recommended. Additionally, the slab should not be tied to the main building foundation as noises will telegraph.

## ***Application Data (Cont'd)***

Mounting holes (5/8" diameter) are provided in the steel channel for bolting the unit to its foundation. See DIMENSIONS.

For ground level installations, precautions should be taken to protect the unit from tampering by or injury to unauthorized persons. Screws on access panels will prevent casual tampering; however, further safety precautions, such as unit enclosure options, a fenced-in enclosure, or locking devices on the panels may be advisable. Check local authorities for safety regulations.

### **CHILLED LIQUID PIPING**

The chilled liquid piping system should be laid out so that the circulating pump discharges into the evaporator. The inlet and outlet evaporator liquid connections are given in DIMENSIONS.

Hand stop valves are recommended for use in all lines to facilitate servicing. Drain connections should be provided at all low points to permit complete drainage of the evaporator and system piping. Additionally, a strainer (20 mesh) is recommended for use on the INLET line to the evaporator.

Pressure gauge connections are recommended for installation in the inlet and outlet water lines. Gauges are not furnished with the unit and are to be furnished by other suppliers.

The chilled liquid lines that are exposed to outdoor ambients should be wrapped with a supplemental heater cable and covered with insulation. As an alternative, ethylene glycol should be added to protect against freeze-up during low ambient periods.

A flow switch is available as an accessory on all units. The flow switch (or its equivalent) must be installed in the leaving water piping of the evaporator and must not be used to start and stop the unit.

# Guide Specifications

## PART 1 – GENERAL

### 1.01 SCOPE

- A. The requirements of this Section shall conform to the general provisions of the Contract, including General and Supplementary Conditions, Conditions of the Contract, and Contract Drawings.
- B. Provide Microprocessor controlled, multiple-scroll compressor, air-cooled, liquid chillers of the scheduled capacities as shown and indicated on the Drawings, including but not limited to:
1. Chiller package with zero Ozone Depletion Potential Refrigerant R-410A
  2. Electrical power and control connections
  3. Chilled water connections
  4. Manufacturer Start-Up
  5. Charge of refrigerant and oil.

### 1.02 QUALITY ASSURANCE

- A. Products shall be Designed, Tested, Rated and Certified in accordance with, and Installed in compliance with applicable sections of the following Standards and Codes:
1. AHRI 550/590 – Water Chilling Packages Using the Vapor Compression Cycle
  2. AHRI 370 – Sound Rating of Large Outdoor Refrigerating and Air-Conditioning Equipment
  3. ANSI/ASHRAE 15 – Safety Code for Mechanical Refrigeration
  4. ANSI/ASHRAE 34 – Number Designation and Safety Classification of Refrigerants
  5. ASHRAE 90.1 – Energy Standard for Buildings Except Low-Rise Residential Buildings
  6. ANSI/NFPA 70 – National Electrical Code (N.E.C.)
  7. ASME Boiler and Pressure Vessel Code, Section VIII, Division 1
  8. OSHA – Occupational Safety and Health Act
  9. Manufactured in facility registered to ISO 9001
  10. Conform to Intertek Testing Services for construction of chillers and provide ETL/cETL Listed Mark
- B. Factory Run Test: Chiller shall be pressure-tested, evacuated and fully charged with refrigerant and oil, and shall be factory operational run tested with water flowing through the vessel.

## Guide Specifications (Cont'd)

- C. Chiller manufacturer shall have a factory trained and supported service organization.
- D. Warranty: Manufacturer shall Warrant all equipment and material of its manufacture against defects in workmanship and material for a period of eighteen (18) months from date of shipment or twelve (12) months from date of start-up, whichever occurs first.

### 1.03 DELIVERY AND HANDLING

- A. Unit shall be delivered to job site fully assembled with all interconnecting refrigerant piping and internal wiring ready for field installation and charged with refrigerant and oil by the Manufacturer.
- B. Provide protective covering over vulnerable components for unit protection during shipment. Fit nozzles and open ends with plastic enclosures.
- C. Unit shall be stored and handled per Manufacturer's instructions.

## PART 2 - PRODUCTS

### 2.01 CHILLER MATERIALS AND COMPONENTS

- A. General: Install and commission, as shown on the schedules and plans, factory assembled, charged, and tested air cooled scroll compressor chiller(s) as specified herein. Chiller shall be designed, selected, and constructed using a refrigerant with Flammability rating of "1", as defined by ANSI/ASHRAE STANDARD 34 Number Designation and Safety Classification of Refrigerants. Chiller shall include not less than two refrigerant circuits above 50 tons (200kW), scroll compressors, direct-expansion type evaporator, air-cooled condenser, refrigerant, lubrication system, interconnecting wiring, safety and operating controls including capacity controller, control center, motor starting components, and special features as specified herein or required for safe, automatic operation.
- B. Cabinet: External structural members shall be constructed of heavy gauge, galvanized steel coated with baked on powder paint which, when subject to ASTM B117, 1000 hour, 5% salt spray test, yields minimum ASTM 1654 rating of "6".
- C. Operating Characteristics: Provide low and high ambient temperature control options as required to ensure unit is capable of operation from -1°C to 46°C (30°F to 115°F) ambient temperature. [Optional: -18°C to 52°C (0°F to 125°F) ambient.]
- D. Service Isolation valves: Discharge (ball type) isolation valves factory installed per refrigerant circuit. Includes a system high-pressure relief valve in compliance with ASHRAE15.
- E. Pressure Transducers and Readout Capability
  1. Discharge Pressure Transducers: Permits unit to sense and display discharge pressure.
  2. Suction Pressure Transducers: Permits unit to sense and display suction pressure.
  3. High Ambient Control: Allows units to operate when the ambient temperature is above 46°C (115°F). Includes discharge pressure transducers.

## Guide Specifications (Cont'd)

### 2.02 COMPRESSORS

A. Compressors: Shall be hermetic, scroll-type, including:

1. Compliant design for axial and radial sealing
2. Refrigerant flow through the compressor with 100% suction cooled motor.
3. Large suction side free volume and oil sump to provide liquid handling capability.
4. Compressor crankcase heaters to provide extra liquid migration protection.
5. Annular discharge check valve and reverse vent assembly to provide low-pressure drop, silent shutdown and reverse rotation protection.
6. Initial oil charge.
7. Oil level sight glass.
8. Vibration isolator mounts for compressors.
9. Brazed-type connections for fully hermetic refrigerant circuits.
10. Compressor Motor overloads capable of monitoring compressor motor current. Provides extra protection against compressor reverse rotation, phase-loss and phase-imbalance

### 2.03 REFRIGERANT CIRCUIT COMPONENTS

Each refrigerant circuit shall include: a discharge service ball type isolation valve, high side pressure relief, liquid line shutoff valve with charging port, low side pressure relief device, filter-drier, solenoid valve, sight glass with moisture indicator, thermostatic expansion valves [Option: electronic expansion valves], and flexible, closed-cell foam insulated suction line and suction pressure transducer.

### 2.04 HEAT EXCHANGERS

A. Evaporator :

1. Evaporator shall be brazed-plate stainless steel construction capable of refrigerant working pressure of 3103 kPa (450 PSIG) and liquid side pressure of 1034 kPa (150 PSIG) (Option for 2068 kPa [300 PSIG] available).
2. Brazed plate heat exchangers shall be UL listed.
3. Exterior surfaces shall be covered with 19mm (3/4"), flexible, closed cell insulation, thermal conductivity of 0.26k ([BTU/ HR-Ft<sup>2</sup> -°F]/in.) maximum.
4. Water nozzles shall be provided with grooves for field provided ANSI/AWWA C-606 mechanical couplings.
5. Evaporator shall include vent and drain fittings and thermostatically controlled heaters to protect to -29°C (-20°F) ambient in off-cycle.
6. A 20-mesh, serviceable wye-strainer and mechanical couplings shall be provided for field installation on evaporator inlet prior to startup.



## Guide Specifications (Cont'd)

**[Option]** Evaporator shall be provided with piping extension kit and mechanical couplings to extend liquid connection from evaporator to edge of unit. Thermal dispersion type flow switch shall be factory installed in the evaporator outlet pipe extension and wired to the unit control panel. Extension kit nozzle connections shall be ANSI/AWWA C-606 (grooved) .

### B. Air Cooled Condenser:

1. **Coils:** Condenser coils shall be constructed of a single material to avoid galvanic corrosion due to dissimilar metals. Coils and headers are brazed as one piece. Integral sub cooling is included. Coils shall be designed for a design working pressure of 45 bar (650 psig). Condenser coil shall be washable with potable water under 7 bar (100 psig) pressure.
2. **Low Sound Fans:** Shall be dynamically and statically balanced, direct drive, corrosion resistant glass fiber reinforced composite blades molded into a low noise, full-airfoil cross section, providing vertical air discharge and low sound. Each fan shall be provided in an individual compartment to prevent crossflow during fan cycling. Guards of heavy gauge, PVC (polyvinyl chloride) coated or galvanized steel shall be factory installed.
3. **Fan Motors:** High efficiency, direct drive, 6 pole, 3 phase, insulation class "F", current protected, Totally Enclosed Air-Over (TEAO), rigid mounted, with double sealed, permanently lubricated, ball bearings.

## 2.05 CONTROLS

- A. **General:** Automatic start, stop, operating, and protection sequences across the range of scheduled conditions and transients.
- B. **Power/Control Enclosure:** Rain and dust tight NEMA 3R powder painted steel cabinet with hinged, latched, and gasket sealed door.
- C. **Microprocessor Control Center:**
  1. Automatic control of compressor start/stop, anti-coincidence and anti-recycle timers, automatic pumpdown at system shutdown, condenser fans, evaporator pump, evaporator heater, unit alarm contacts, and chiller operation from -18°C to 52°C (0°F to 125°F) ambient. Automatic reset to normal chiller operation after power failure.
  2. Remote water temperature reset via 0-10 VDC or 4-20 mA input signal or up to two steps of demand (load) limiting.
  3. Software stored in non-volatile memory, with programmed setpoints retained in lithium battery backed real-time-clock (RTC) memory for minimum 5 years.
  4. Forty character liquid crystal display, descriptions in English (or Spanish, French, Italian, or German), numeric data in English (or Metric) units. Sealed keypad with sections for Setpoints, Display/Print, Entry, Unit Options & clock, and On/Off Switch.
  5. Programmable Setpoints (within Manufacturer limits): display language; chilled liquid temperature setpoint and range, remote reset temperature range, daily schedule/holiday for start/stop, manual override for servicing, low and high ambient cutouts,

## Guide Specifications (Cont'd)

low liquid temperature cutout, low suction pressure cutout, high discharge pressure cutout, anti-recycle timer (compressor start cycle time), and anti-coincident timer (delay compressor starts).

6. **Display Data:** Return and leaving liquid temperatures, low leaving liquid temperature cutout setting, low ambient temperature cutout setting, outdoor air temperature, English or metric data, suction pressure cutout setting, each system suction pressure, discharge pressure (optional), liquid temperature reset via a 4-20milliamp or 0-10 VDC input, anti-recycle timer status for each compressor, anti-coincident system start timer condition, compressor run status, no cooling load condition, day, date and time, daily start/stop times, holiday status, automatic or manual system lead/lag control, lead system definition, compressor starts/operating hours (each), status of hot gas valves, evaporator heater and fan operation, run permissive status, number of compressors running, liquid solenoid valve status, load & unload timer status, water pump status.
  7. **System Safeties:** Shall cause individual compressor systems to perform auto shut down; manual reset required after the third trip in 90 minutes. System Safeties include: high discharge pressure, low suction pressure, high pressure switch, and motor protector. Compressor motor protector shall protect against damage due to high input current or thermal overload of windings.
  8. **Unit Safeties:** Shall be automatic reset and cause compressors to shut down if low ambient, low leaving chilled liquid temperature, under voltage, and flow switch operation.
  9. **Alarm Contacts:** Low ambient, low leaving chilled liquid temperature, low voltage, low battery, and (per compressor circuit): high discharge pressure, and low suction pressure.
  10. **BAS Communications:** YORKTalk 2, BACnet MS/TP, Modbus and N2 communication capabilities are standard. (Option: LON communication via ELink Microgateway)
- D. Manufacturer shall provide any controls not listed above, necessary for automatic chiller operation. Mechanical Contractor shall provide field control wiring necessary to interface sensors to the chiller control system.

### 2.06 POWER CONNECTION AND DISTRIBUTION

#### A. Power Panels:

1. NEMA 3R raintight, powder painted steel cabinets with hinged, latched, and gasket sealed outer doors. Provide main power connection(s), control power connections, compressor and fan motor start contactors, current overloads, and factory wiring.
  2. Power supply shall enter unit at a single location, be 3 phase of scheduled voltage, and connect to individual terminal blocks per compressor. Separate disconnecting means and/or external branch circuit protection (by Contractor) required per applicable local or national codes.
- B. Compressor, control and fan motor power wiring shall be located in an enclosed panel or routed through liquid tight conduit.

## Guide Specifications (Cont'd)

### 2.07 ACCESSORIES AND OPTIONS

Some accessories and options supercede standard product features. Your Johnson Controls representative will be pleased to provide assistance.

- A. Microprocessor controlled, Factory installed Across-the-Line type compressor motor starters as standard.
- B. Outdoor Ambient Temperature Control
  - 1. **Low Ambient Control:** Permits unit operation to  $-17.8^{\circ}\text{C}$  ( $0^{\circ}\text{F}$ ) ambient. Standard unit controls to  $-1.1^{\circ}\text{C}$  ( $30^{\circ}\text{F}$ ) ambient.
  - 2. **High Ambient Control:** Permits unit operation above  $46^{\circ}\text{C}$  ( $115^{\circ}\text{F}$ ) ambient.
- C. Power Supply Connections:
  - 1. **Single Point Power Supply:** Single point Terminal Block for field connection and interconnecting wiring to the compressors. Separate external protection must be supplied, by others, in the incoming power wiring, which must comply with the National Electric Code and/or local codes.
  - 2. **Single Point or Multiple Point Disconnect:** Single or Dual point Non-Fused Disconnect(s) and lockable external handle (in compliance with Article 440-14 of N.E.C.) can be supplied to isolate the unit power voltage for servicing. Separate external fusing must be supplied, by others, in the incoming power wiring, which must comply with the National Electric Code (CE) and/or local codes.
  - 3. **Single Point Circuit Breaker:** Single point Terminal Block with Circuit Breaker and lockable external handle (in compliance with Article 440-14 of N.E.C.) can be supplied to isolate power voltage for servicing. Incoming power wiring must comply with the National Electric Code and/or local codes.
- D. **Control Power Transformer:** Converts unit power voltage to 120-1-60 (500 VA capacity). Factory-mounting includes primary and secondary wiring between the transformer and the control panel.
- E. **Power Factor Correction Capacitors:** Provided to correct unit compressor factors to a 0.90-0.95.
- F. **Condenser Coil Environmental Protection:**
  - 1. **Post-Coated Dipped:** Dipped-cured coating on condenser coils for seashore and other corrosive applications (with the exception of strong alkalis, oxidizers, and wet bromine, chlorine and fluorine in concentrations greater than 100 ppm).
- G. Protective Chiller Panels (Factory or Field Mounted)
  - 1. **Louvered Panels (condenser coils only):** Painted steel as per remainder of unit cabinet, over external condenser coil faces.
  - 2. **Wire Panels (full unit):** Heavy gauge, welded wire- mesh, coated to resist corrosion, to protect condenser coils from incidental damage and restrict unauthorized access to internal components.
  - 3. **Louvered Panels (full unit):** Painted steel as per remainder of unit cabinet, to protect condenser coils from incidental damage, visually screen internal components, and prevent unauthorized access to internal components.

## Guide Specifications (Cont'd)

4. **Louvered/Wire Panels:** Louvered steel panels on external condenser coils painted as per remainder of unit cabinet. Heavy gauge, welded wire-mesh, coated to resist corrosion, around base of machine to restrict unauthorized access.
  5. **End Louver (hail guard):** Louvered steel panels on external condenser coil faces located at the ends of the chiller.
- H. **Thermal Dispersion Flow Switch (Factory installed and wired in piping extension kit):** Normally open, 30bar pressure rating, stainless steel 316L construction, IP67, -20°C to 70°C (-4°F to 158°F) ambient rating.
- I. **Evaporator options:**
1. Provide 1-1/2" evaporator insulation in lieu of standard 3/4".
- J. **Hot Gas By-Pass:** Permits continuous, stable operation at capacities below the minimum step of unloading to as low as 5% capacity (depending on both the unit & operating conditions) by introducing an artificial load on the evaporator. Hot gas by-pass is installed on only one refrigerant circuit.
- K. **Thermal Storage:** Leaving chilled liquid setpoint range for charge cycle from -3.9°C to -6.7°C (25°F to 20°F) minimum, with automatic reset of the leaving brine temperature up to 4.4°C (40°F) above the setpoint.
- L. **Low Temperature Process Glycol:** Leaving chilled liquid setpoint range -12°C to 10°C (10°F to 50°F)
- M. **Sound Reduction (Factory installed):**
1. Ultra Quiet - Low speed, reduced noise fans
  2. Compressor Acoustic Sound Blankets
- N. **Vibration Isolation (Field installed):**
1. Elastomeric Isolators.
  2. **1" Deflection Spring Isolators:** Level adjustable, spring and cage type isolators for mounting under the unit base rails.
  3. **2" Deflection Restrained Spring Isolators:** Level adjustable, restrained mounts in rugged welded steel housing with vertical and horizontal limit stops. Housings shall be designed to withstand a minimum 1.0g accelerated force in all directions to 50.8 mm (2")

## ***Guide Specifications (Cont'd)***

### **PART 3 – EXECUTION**

#### **3.01 INSTALLATION**

- A. **General:** Rig and Install in full accordance with Manufacturers requirements, Project drawings, and Contract documents.
- B. **Location:** Locate chiller as indicated on drawings, including cleaning and service maintenance clearance per Manufacturer instructions. Adjust and level chiller on support structure.
- C. **Components:** Installing Contractor shall provide and install all auxiliary devices and accessories for fully operational chiller.
- D. **Electrical:** Co-ordinate electrical requirements and connections for all power feeds with Electrical Contractor (Division 16).
- E. **Controls:** Co-ordinate all control requirements and connections with Controls Contractor.
- F. **Finish:** Installing Contractor shall paint damaged and abraded factory finish with touch-up paint matching factory finish.

